

SELF-PROPELLED SCISSOR LIFTS

PARTS MANUAL

(For JCPT0808HD / JCPT1008HD / JCPT1012HD / JCPT1212HD / JCPT1412HD / JCPT1612HD)

(For JCPT0808DC / JCPT1008DC / JCPT1012DC / JCPT1212DC / JCPT1412DC / JCPT1612DC)

(Hydraulic Motor / DC Motor Drive)



WARNING

THE MANUFACTURER SHALL NOT BE HELD LIABLE IN CASE OF FAULTS OR ACCIDENTS DUE TO NEGLIGENCE, INCAPACITY, INSTALLATION BY UNQUALIFIED TECHNICIANS AND IMPROPER USE OF THE MACHINE

DO NOT OPERATE THIS MACHINE UNTIL YOU READ AND UNDERSTAND ALL THE DANGERS, WARNINGS AND CAUTIONS IN THIS MANUAL

Part Number: SM0110211



Zhejiang Dingli Machinery Co., Ltd.

Sixth Edition, March 2015 Printing

Version of the Record

Version Number	Create Date
SM0110211_Rev1.0	2010-07
SM0110211_Rev2.0	2011-03
SM0110211_Rev3.0	2012-12
SM0110211_Rev4.0	2013-08
SM0110211_Rev5.0	2014-07
SM0110211_Rev6.0	2015-01

Table of Contents

Section 1 Chassis

Figure 1-1 Chassis Assembly (JCPT0808HD/DC~JCPT1008HD/DC).....	1-1
Figure 1-2 Chassis Assembly (JCPT1012HD/DC~JCPT1612HD/DC).....	1-4
Figure 1-3 Steer Linkage (HD Motor Drive).....	1-8
Figure 1-4 Steer Linkage (DC Motor Drive).....	1-11
Figure 1-5 Rear Wheel (HD Motor Drive).....	1-14
Figure 1-6 Rear Wheel (DC Motor Drive).....	1-15
Figure 1-7 Pot Hole Protection Assembly	1-17
Figure 1-8 Battery Pack Module	1-21
Figure 1-9 Pumping station box (HD Motor Drive)	1-24
Figure 1-10 Pumping station box (DC Motor Drive)	1-27
Figure 1-11 Hydraulic Tank	1-30
Figure 1-12 Control Electrical (DC Motor Drive)	1-32
Figure 1-13 Limit Switch Assembly	1-34
Figure 1-14 Oil Pipe Bracket Assembly (HD Motor Drive).....	1-36
Figure 1-15 Oil Pipe Bracket Assembly (DC Motor Drive).....	1-37
Figure 1-16 Ground Control Panel Assembly.....	1-38
Figure 1-17 Manual Pump Assembly (HD Motor Drive)	1-39

Section 2 Scissor

Figure 2-1 Scissor and Chassis Installations	2-1
Figure 2-2 Scissor Assembly (JCPT0808HD/DC).....	2-3
Figure 2-3 Scissor Assembly (JCPT1008HD/DC~JCPT1012HD/DC).....	2-6
Figure 2-4 Scissor Assembly (JCPT1212HD/DC).....	2-9
Figure 2-5 Scissor Assembly (JCPT1412HD/DC~JCPT1612HD/DC).....	2-12

Section 3 Platform

Figure 3-1 Platform and Scissor Installations.....	3-1
Figure 3-2 Main Platform Assembly (JCPT0808HD/DC~JCPT1008HD/DC)	3-3
Figure 3-3 Platform Extension Assembly (JCPT0808HD/DC~JCPT1008HD/DC)	3-6
Figure 3-4 Main Platform Assembly (JCPT1012HD/DC~JCPT1612HD/DC)	3-9
Figure 3-5 Platform Extension Assembly (JCPT1012HD/DC~JCPT1612HD/DC)	3-12
Figure 3-6 Platform Locking Device	3-14
Figure 3-7 Platform Control Box.....	3-15

Section 4 Hydraulic System

Figure 4-1 Lower Lift Cylinder Assembly.....	4-1
--	-----

Figure 4-2	Upper Lift Cylinder (JCPT1212HD/DC~JCPT1612HD/DC)	4-3
Figure 4-3	Hydraulic Hoses and Fittings (JCPT0808HD~JCPT1012HD)	4-5
Figure 4-4	Hydraulic Hoses and Fittings (JCPT0808DC~JCPT1012DC)	4-8
Figure 4-5	Hydraulic Hoses and Fittings (JCPT1212HD~JCPT1412HD)	4-10
Figure 4-6	Hydraulic Hoses and Fittings (JCPT1212DC~JCPT1412DC)	4-13
Figure 4-7	Hydraulic Hoses and Fittings (JCPT1612HD).....	4-15
Figure 4-8	Hydraulic Hoses and Fittings (JCPT1612DC).....	4-18
Figure 4-9	Function Manifold (HD Motor Drive)	4-20
Figure 4-10	Function Manifold (DC Motor Drive)	4-22

Chassis

Section 1

Figure 1-1 Chassis Assembly (JCPT0808HD/DC~JCPT1008HD/DC)

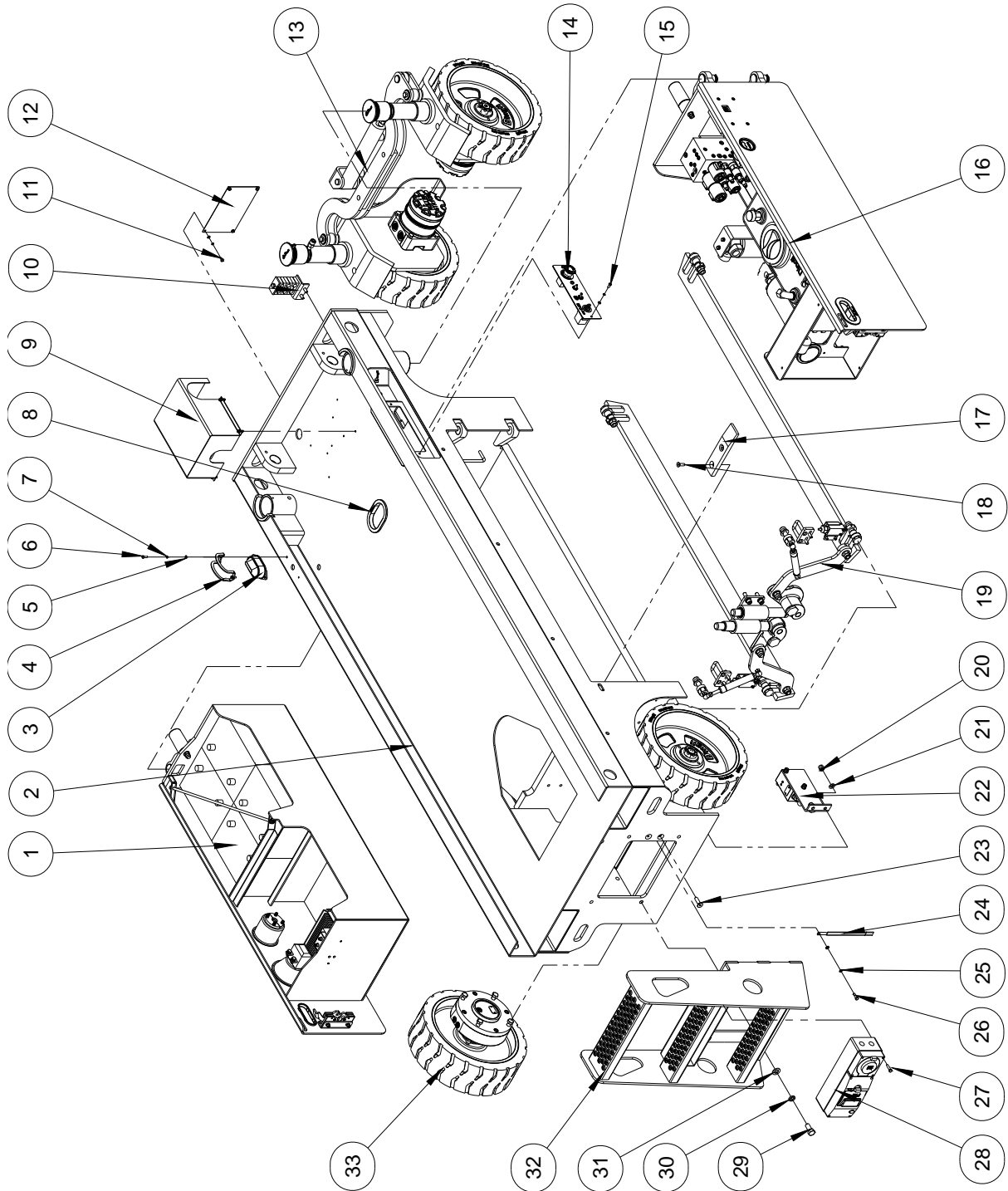


Figure 1-1 Chassis Assembly (JCPT0808HD/DC~JCPT1008HD/DC)

Item	Part Number	Description	Qty.	Remark
1	JCPT0808HD-121000	Battery Pack Module (Refer to 1-8)	1	
2	JCPT0808HD-111000	Chassis	1	
3	6914-0200032-01	Beacon	1	
4	JCPT1212HD-101023	Cover	1	
5	GB/T 97.1-2002	Washer 5	8	
6	GB/T 818-2000	Screw M5×16-H	2	
7	GB/T 93-1987	Spring washer 5	8	
8	JCPT1212HD-101021	Sheath	1	
9	JCPT1212HD-710000	Limit switch assembly (Refer to 1-13)	1	
10	JCPT1212HD-571100	Oil pipe backet assembly (Refer to 1-14)	1	JCPT0808HD JCPT1008HD
	JCPT1212DC-571100	Oil pipe backet assembly (Refer to 1-15)	1	JCPT0808DC JCPT1008DC
11	GB/T 818-2000	Screw M5×10-H	4	
12	JCPT0808HD-101011	Baseplate	2	
13	JCPT0808HD-151000	Steer Linkage and Wheels (Refer to 1-3)	1	JCPT0808HD JCPT1008HD
	JCPT0808DC-151000	Steer Linkage and Wheels (Refer to 1-4)	1	JCPT0808DC JCPT1008DC
14	JCPT1212HD-101400	Ground Control panel Assembly (Refer to 1-16)	1	
15	GB/T 818-2000	Screw M5×14-H	2	
16	JCPT0808HD-131000	Pumping station box (Refer to 1-9)	1	JCPT0808HD JCPT1008HD
	JCPT0808DC-131000	Pumping station box (Refer to 1-10)	1	JCPT0808DC JCPT1008DC
17	JCPT1212HD-101011	Spacer	2	
18	GB/T 70.3-2000	Screw M8×25	4	
19	JCPT0808HD-142000	Pothole Protection Assembly (Refer to 1-7)	1	
20	GB/T 6182-2000	Nut M10	2	JCPT0808HD JCPT1008HD
21	GB/T 97.1-2002	Washer 10	2	JCPT0808HD JCPT1008HD

Figure 1-1 Chassis Assembly (JCPT0808HD/DC~JCPT1008HD/DC)

Item	Part Number	Description	Qty.	Remark
22	JCPT1212HD-101200	Manual pump assembly	1	JCPT0808HD JCPT1008HD
23	GB/T 70.3-2000	Screw M10x35	2	
24	JCPT1212HD-101022	Electric bar	1	
25	GB/T 93-1987	Spring washer 6	1	
26	GB/T 5783-2000	Bolt M6x20	1	
27	GB/T 5783-2000	Bolt M6x25	4	Option
28	6999-0110003-01	Input socket	1	
29	GB/T 5783-2000	Bolt M14x35	4	
30	GB/T 93-1987	Spring washer 14	4	
31	GB/T 97.1-2002	Washer 14	4	
32	JCPT0808HD-171000	Ladder	1	
33	JCPT1212HD-101018	Non-steer wheel (Refer to 1-5)	2	JCPT0808HD JCPT1008HD
	JCPT1212DC-101100	Non-steer wheel (Refer to 1-6)	2	JCPT0808DC JCPT1008DC

Figure 1-2 Chassis Assembly (JCPT1012HD/DC~JCPT1612HD/DC)

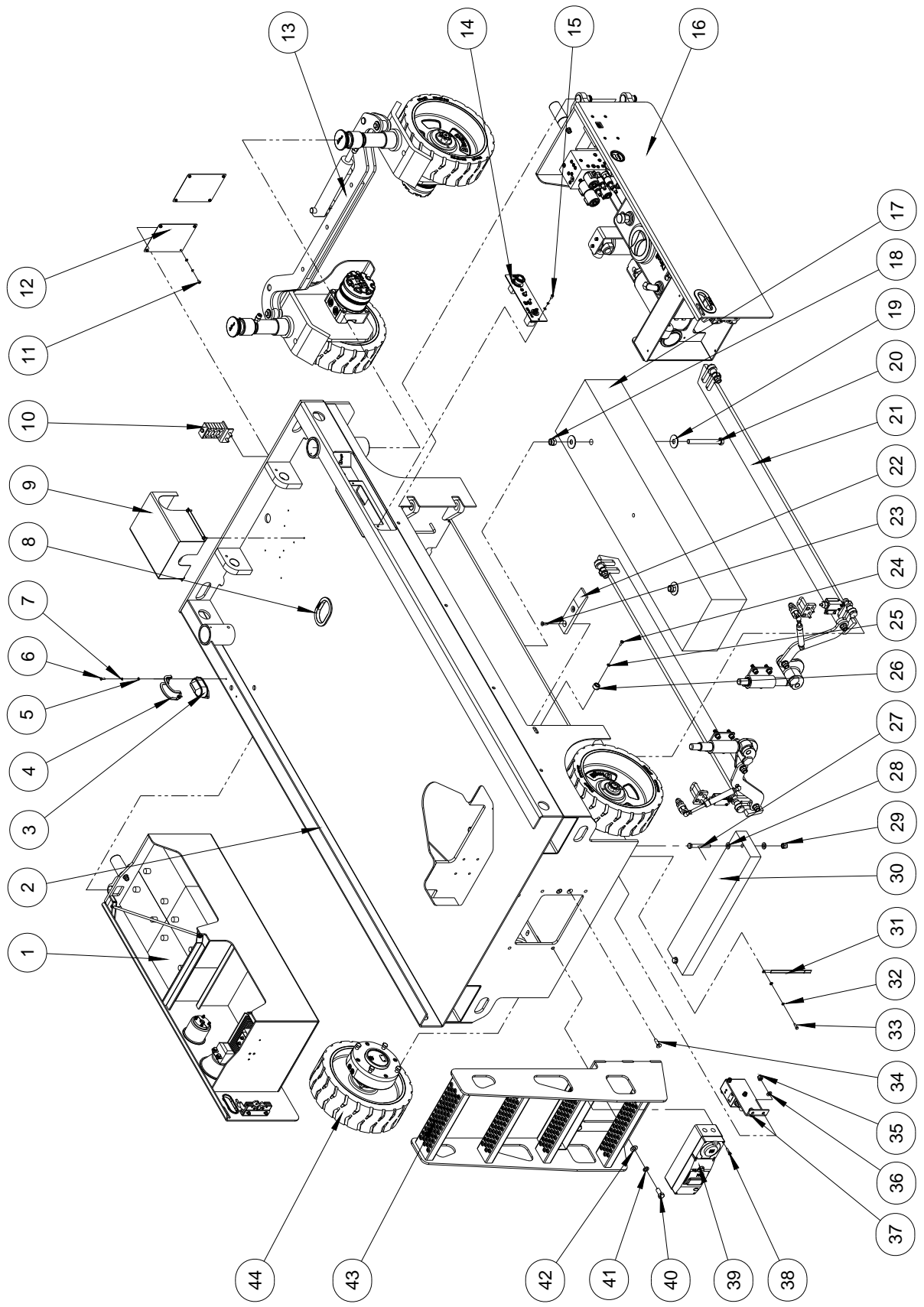


Figure 1-2 Chassis Assembly (JCPT1012HD/DC~JCPT1612HD/DC)

Item	Part Number	Description	Qty.	Remark
1	JCPT0808HD-121000	Battery Pack Module (Refer to 1-8)	1	JCPT1012HD/DC
	JCPT1212HD-121000	Battery Pack Module (Refer to 1-8)	1	JCPT1212HD/DC
	JCPT1412HD-121000	Battery Pack Module (Refer to 1-8)	1	JCPT1412HD/DC
	JCPT1612DC-122000	Battery Pack Module (Refer to 1-8)	1	JCPT1612HD/DC
2	JCPT1212HD-111000	Chassis	1	JCPT1012HD/DC JCPT1212HD/DC JCPT1412HD/DC
	JCPT1612HD-111000	Chassis	1	JCPT1612HD/DC
3	6914-0200032-01	Beacon	1	
4	JCPT1212HD-101023	Cover	1	
5	GB/T 97.1-2002	Washer 5	12	
6	GB/T 818-2000	Screw M5×16-H	2	
7	GB/T 93-1987	Spring washer 5	12	
8	JCPT1212HD-101021	Sheath	1	
9	JCPT1212HD-710000	Limit switch assembly (Refer to 1-13)	1	JCPT1012HD/DC JCPT1212HD/DC JCPT1412HD/DC
	JCPT1612DC-710000	Limit switch assembly (Refer to 1-13)	1	JCPT1612HD/DC
10	JCPT1212HD-571100	Oil pipe backet assembly (Refer to 1-14)	1	JCPT1012HD JCPT1212HD JCPT1412HD JCPT1612HD
	JCPT1212DC-571100	Oil pipe backet assembly (Refer to 1-15)	1	JCPT1012DC JCPT1212DC JCPT1412DC JCPT1612DC
11	GB/T 818-2000	Screw M5×10-H	8	
12	JCPT1212HD-101016	Baseplate	2	
13	JCPT1212HD-151000	Steer Linkage and Wheels (Refer to 1-3)	1	JCPT1012HD JCPT1212HD
	JCPT1412HD-151000	Steer Linkage and Wheels (Refer to 1-3)	1	JCPT1412HD
	JCPT1612HD-151000	Steer Linkage and Wheels (Refer to 1-3)	1	JCPT1612HD
	JCPT1212DC-151000	Steer Linkage and Wheels	1	JCPT1012DC JCPT1212DC JCPT1412DC

Figure 1-2 Chassis Assembly (JCPT1012HD/DC~JCPT1612HD/DC)

Item	Part Number	Description	Qty.	Remark
13	JCPT1612DC-150000	Steer Linkage and Wheels (Refer to 1-4)	1	JCPT1612DC
14	JCPT1212HD-101400	Ground Control panel Assembly (Refer to 1-16)	1	
15	GB/T 818-2000	Screw M5×14-H	2	
16	JCPT0808HD-131000	Pumping station box (Refer to 1-9)	1	JCPT1012HD
	JCPT1212HD-131000	Pumping station box (Refer to 1-9)	1	JCPT1212HD JCPT1412HD
	JCPT1612HD-131000	Pumping station box (Refer to 1-9)	1	JCPT1612HD
	JCPT0808DC-131000	Pumping station box (Refer to 1-10)	1	JCPT1012DC
	JCPT1212DC-131000	Pumping station box (Refer to 1-10)	1	JCPT1212DC JCPT1412DC
	JCPT1612DC-131000	Pumping station box (Refer to 1-10)	1	JCPT1612DC
17	JCPT1012HD-101024	Counterweight	1	JCPT1012HD/DC
	JCPT1212HD-101024	Counterweight	1	JCPT1212HD/DC
	JCPT1412HD-101024	Counterweight	1	JCPT1412HD/DC
18	GB/T 6182-2000	Nut M16	2	JCPT1012HD/DC
19	GB/T 97.1-2002	Washer 16	4	JCPT1212HD/DC
20	GB/T 5782-2000	Bolt M16×220	2	JCPT1412HD/DC
21	JCPT1212HD-141000	Pothole Protection Assembly (Refer to 1-7)	1	JCPT1012HD/DC JCPT1212HD/DC JCPT1412HD/DC
	JCPT1612HD-141000	Pothole Protection Assembly (Refer to 1-7)	1	JCPT1612HD/DC
22	JCPT1212HD-101011	Spacer	2	
23	GB/T 70.3-2000	Screw M8×25	4	
24	GB/T 818-2000	Screw M6×16-H	2	JCPT1012HD/DC JCPT1212HD/DC JCPT1412HD/DC
	GB/T 70.1-2000	Screw M10×30	2	JCPT1612HD/DC
25	GB/T 97.1-2002	Washer 6	3	JCPT1012HD/DC JCPT1212HD/DC JCPT1412HD/DC

Figure 1-2 Chassis Assembly (JCPT1012HD/DC~JCPT1612HD/DC)

Item	Part Number	Description	Qty.	Remark
26	JCPT3707M-41002	Rubber pad	2	JCPT1012HD/DC JCPT1212HD/DC JCPT1412HD/DC
	JCPT1212HD-10013A	Rubber pad	2	JCPT1612HD/DC
27	GB/T 5782-2000	Bolt M12x90	2	JCPT1212HD
28	GB/T 97.1-2002	Washer 12	4	
29	GB/T 6182-2000	Nut M12	2	
30	JCPT1212HD-101026	Counterweight	1	
31	JCPT1212HD-101022	Electric bar	1	
32	GB/T 93-1987	Spring washer 6	1	
33	GB/T 5783-2000	Bolt M6x20	1	
34	GB/T 70.3-2000	Screw M10x35	2	JCPT1012HD JCPT1212HD JCPT1412HD JCPT1612HD
35	GB/T 6182-2000	Nut M10	2	
36	GB/T 97.1-2002	Washer 10	2	
37	JCPT1212HD-101200	Manual pump assembly (Refer to 1-17)	1	
38	GB/T 5783-2000	Bolt M6x25	4	Option
39	6999-0110003-01	Input socket	1	
40	GB/T 5783-2000	Bolt M14x35	4	
41	GB/T 93-1987	Spring washer 14	4	
42	GB/T 97.1-2002	Washer 14	4	
43	JCPT0808HD-171000	Ladder	1	JCPT1012HD/DC
	JCPT1212HD-171000	Ladder	1	JCPT1212HD/DC JCPT1412HD/DC JCPT1612HD/DC
44	JCPT1212HD-101018	Non-steer wheel	2	JCPT1012HD JCPT1212HD JCPT1412HD JCPT1612HD
	JCPT1212DC-101100	Non-steer wheel	2	JCPT1012DC JCPT1212DC JCPT1412DC JCPT1612DC

Figure 1-3 Steer Linkage (HD Motor Drive)

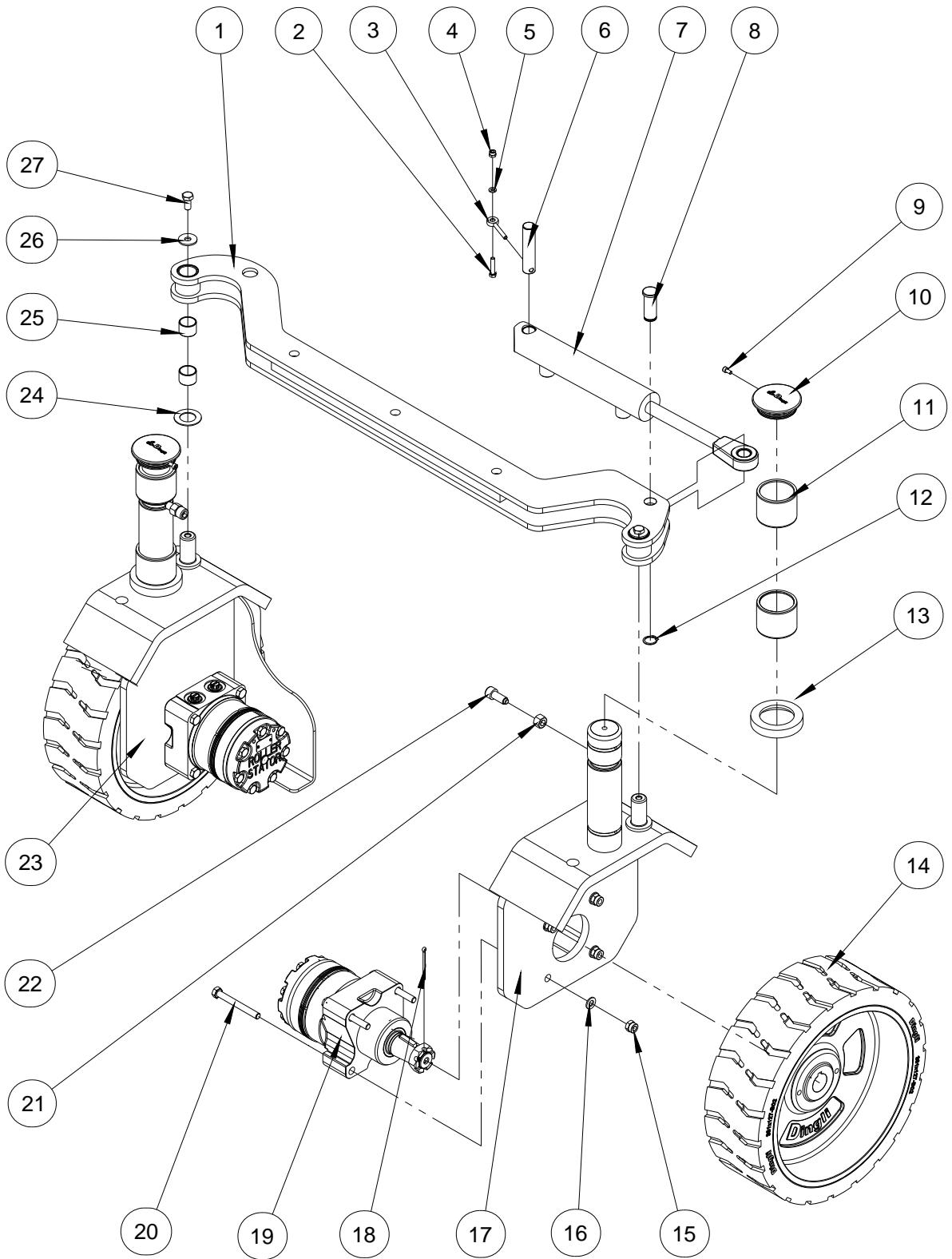


Figure 1-3 Steer Linkage (HD Motor Drive)

Item	Part Number	Description	Qty.	Remark
1	JCPT0808HD-151200	Steer linkage	1	JCPT0808HD JCPT1008HD
	JCPT1212HD-151200	Steer linkage	1	JCPT1012HD JCPT1212HD JCPT1412HD
	JCPT1612DC-150200	Steer linkage	1	JCPT1612HD
2	GB/T 5782-2000	Bolt M6x30	1	
3	8902-06045	Pin 6x45	1	
4	GB/T 97.1-2002	Washer 6	1	
5	GB/T 6182-2000	Nut M6	1	
6	JCPT1212HD-151006	Axle	1	
7	JCPT1212HD-533300	Steering cylinder	1	
--	JCPT1212HD-533300-1	Seal kit	1	
8	JCPT1212HD-151005	Axle	1	
9	GB/T 70.1-2000	Screw M5x10	2	
10	JCPT0808HD-100115	Cover	2	
11	8813-556550	Bearing	4	
12	GB/T 894.1-1986	Circlips for shaft 20	1	
13	JCPT1212HD-151002	Washer	2	
14	JCPT1212HD-101018	Wheel	2	
15	GB/T 6182-2000	Nut M12	8	
16	GB/T 97.1-2002	Washer 12	8	
17	JCPT1212HD-151110	Steer yoke	1	
18	GB/T 91-2000	Pin 4x50	2	
19	5804-0300-01	Hydraulic motor	2	JCPT0808HD JCPT1008HD JCPT1012HD
	5804-0375-01	Hydraulic motor	2	JCPT1212HD JCPT1412HD JCPT1612HD
20	GB/T 70.1-2000	Screw M12x90	8	
21	GB/T 41-2000	Nut M12	2	

Figure 1-3 Steer Linkage (HD Motor Drive)

Item	Part Number	Description	Qty.	Remark
22	JCPT1212HD-151008	Screw	2	
23	JCPT1212HD-151110a	Steer Yoke	1	
24	8832-26	Bearing	2	
25	8812-252820	Bearing	4	
26	GB/T 96.1-2002	Washer 10	2	
27	GB/T 5783-2000	Bolt M10x20	2	

Figure 1-4 Steer Linkage (DC Motor Drive)

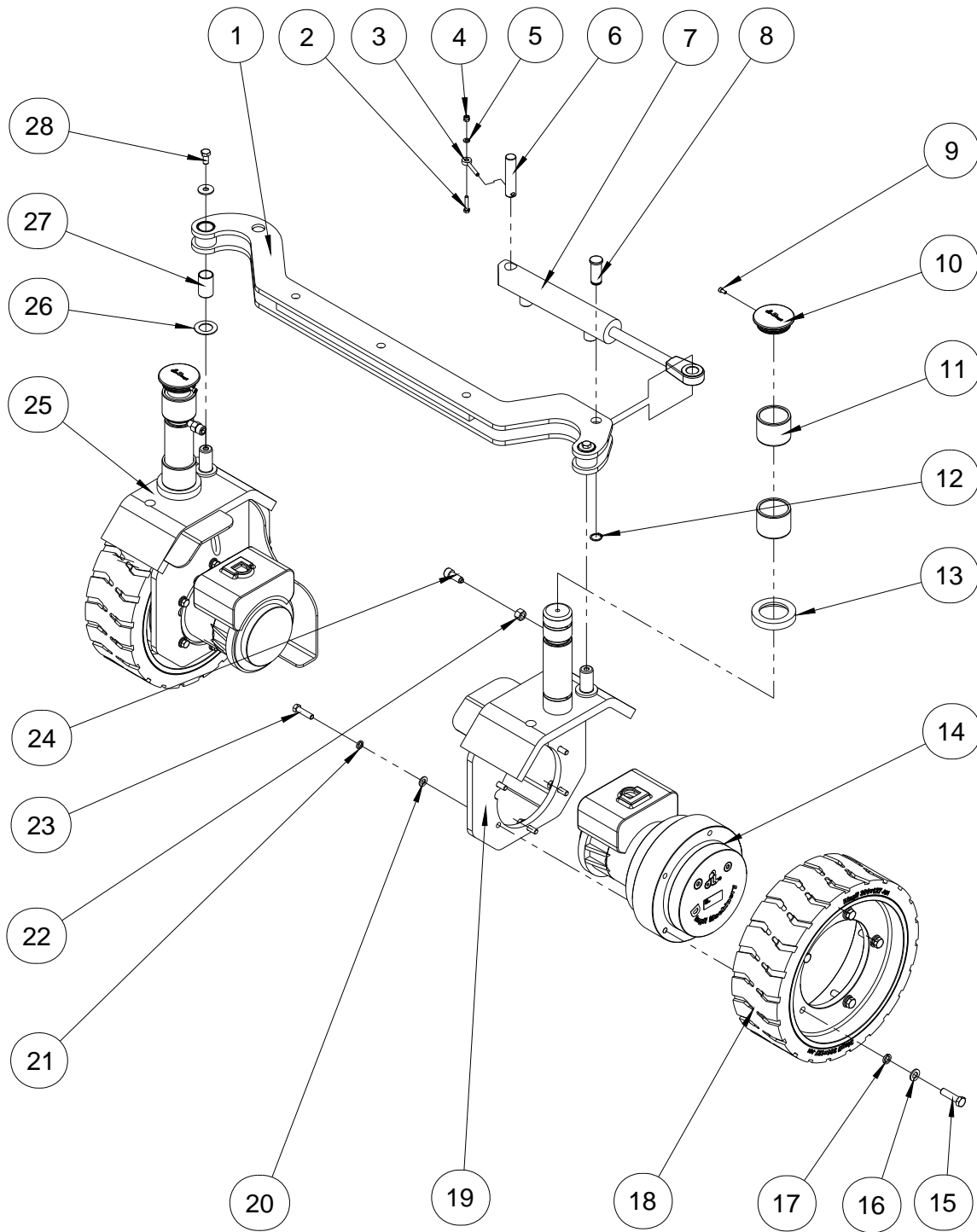


Figure 1-4 Steer Linkage (DC Motor Drive)

Item	Part Number	Description	Qty.	Remark
1	JCPT0808HD-151200	Steer linkage	1	JCPT0808DC JCPT1008DC
	JCPT1212HD-151200	Steer linkage	1	JCPT1012DC JCPT1212DC JCPT1412DC
	JCPT1612DC-150200	Steer linkage	1	JCPT1612DC
2	GB/T 5782-2000	Bolt M6x30	1	
3	8902-06050	Pin 6x45	1	
4	GB/T 97.1-2002	Washer 6	1	
5	GB/T 6182-2000	Nut M6	1	
6	JCPT1212HD-151006	Axle	1	
7	JCPT1212HD-533300	Steering cylinder	1	
--	JCPT1212HD-533300-1	Seal kit	1	
8	JCPT1212HD-151005	Axle	1	
9	GB/T 70.1-2000	Screw M5x10	2	
10	JCPT0808HD-100115	Cover	2	
11	8813-556550	Bearing	4	
12	GB/T 894.1-1986	Circlips for shaft 20	1	
13	JCPT1212HD-151002	Washer	2	
14	1808-0114	Drive Motor	2	
--	1808-0114-01	Reducer	2	
--	1808-0114-02	Motor	2	
--	1808-0114-03	Brake	2	
15	GB/T 5786-2000	Bolt M12x1.5x45	10	
16	GB/T 93-1987	Spring washer 12	10	
17	GB/T 97.1-2002	Washer 12	10	
18	JCPT1212DC-10110	Wheel	2	
19	JCPT1212DC-151110	Steer Yoke	1	
20	GB/T 97.1-2002	Washer 10	12	
21	GB/T 93-1987	Spring washer 10	12	

Figure 1-4 Steer Linkage (DC Motor Drive)

Item	Part Number	Description	Qty.	Remark
22	GB/T 41-2000	Nut M12	2	
23	3/8-16x1.51-C	Bolt 3/8-16x1.51-C	12	
24	JCPT1212HD-151008	Screw	2	
25	JCPT1212DC-151110a	Steer Yoke	1	
26	8832-26	Bearing	2	
27	8812-252845	Bearing	2	
28	GB/T 5783-2000	Bolt M10x20	2	

Figure 1-5 Rear Wheel (HD Motor Drive)

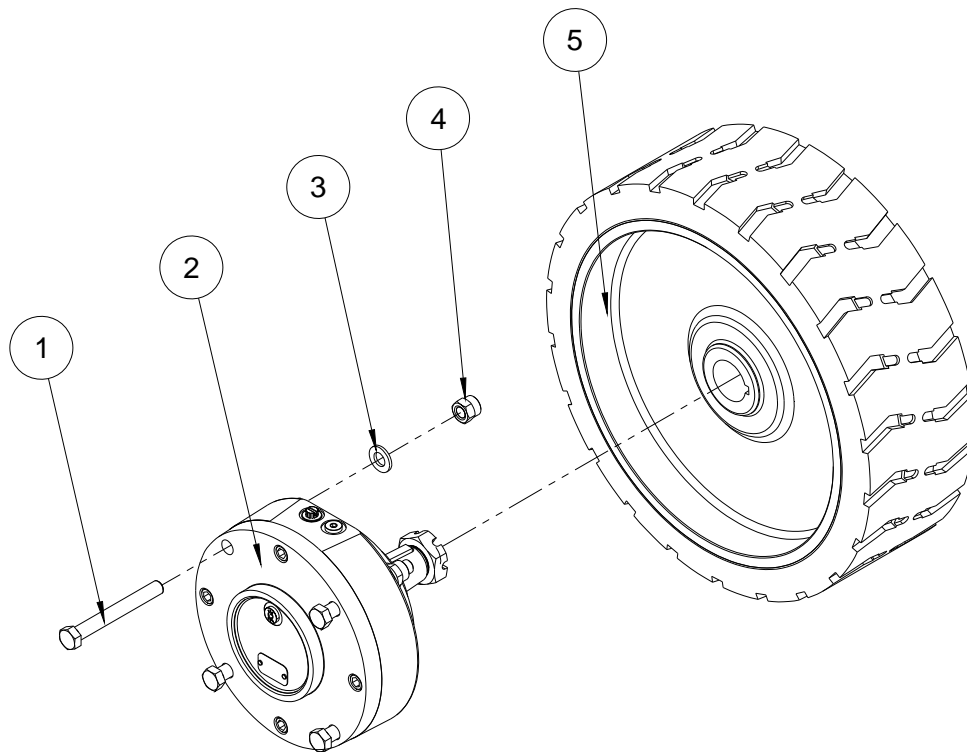


Figure 1-5 Rear Wheel (HD Motor Drive)

Item	Part Number	Description	Qty.	Remark
1	GB/T 5782-2000	Bolt M12×100	4	
2	5810-0111	Brake	1	
3	GB/T 97.1-2002	Washer 12	4	
4	GB/T 6182-2000	Nut M12	4	
5	JCPT1212HD-101018	Wheel	1	

Figure 1-6 Rear Wheel (DC Motor Drive)

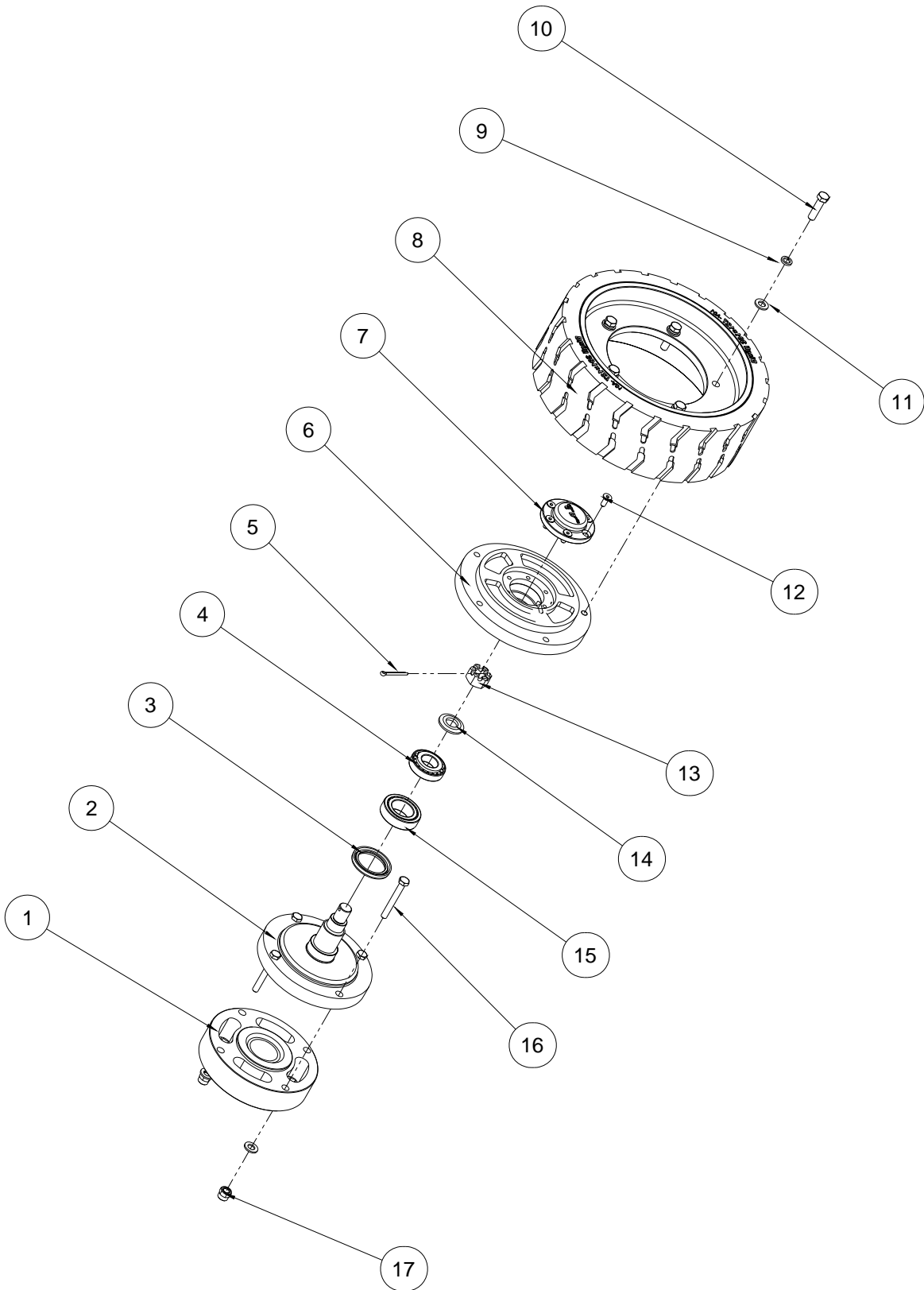


Figure 1-6 Rear Wheel (DC Motor Drive)

Item	Part Number	Description	Qty.	Remark
1	JCPT1212DC-101106	Cushion	1	
2	JCPT1212DC-101120	Wheel axle seat	1	
3	GB/T13871.1-2007	Seal FB70 50 8	1	
4	GB/T 297-1994	Bearing 30206	1	
5	GB/T 91-2000	Pin 5x40	1	
6	JCPT1212DC-101104	Bearing seat	1	
7	JCPT1212DC-101103	End cover	1	
8	JCPT1212DC-101110	Wheel	1	
9	GB/T 93-1987	Spring washer 12	5	
10	GB/T 5786-2000	Bolt M12x1.5x45	5	
11	GB/T 97.1-2002	Washer 12	9	
12	GB/T 70.3-2000	Screw M8x20	6	
13	GB/T 9459-1988	Nut M22x1.5	1	
14	JCPT1212DC-101101	Washer	1	
15	GB/T 297-1994	Bearing 33008	1	
16	GB/T 5780-2000	Bolt M12x100	4	
17	GB/T 6182-1988	Nut M12	4	

Figure 1-7 Pot Hole Protection Assembly

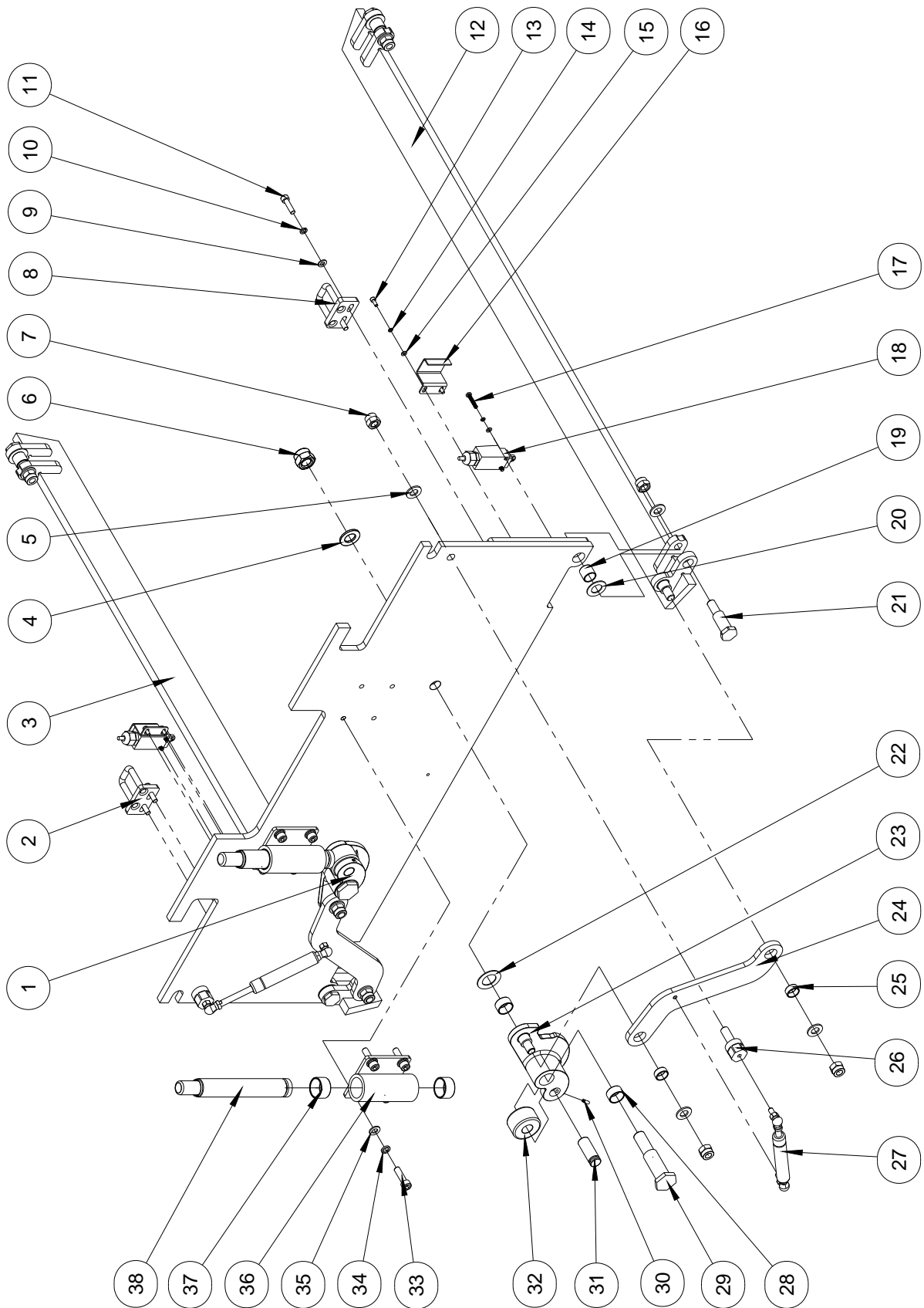


Figure 1-7 Pot Hole Protection Assembly

Item	Part Number	Description	Qty.	Remark
1	JCPT1212HD-141040	Mid linkage welded body	1	
2	JCPT1212HD-101100	Lock clasp	1	
3	JCPT1212HD-141030	Cross board	1	JCPT0808HD/DC JCPT1008HD/DC JCPT1012HD/DC JCPT1212HD/DC JCPT1412HD/DC
	JCPT1612DC-141030	Cross board	1	JCPT1612HD/DC
4	GB/T 97.1-2002	Washer 20	2	
5	GB/T 97.1-2002	Washer 14	10	
6	GB/T 889.1-2000	Nut M20	2	
7	GB/T 889.1-2000	Nut M14	10	
8	JCPT1212HD-101100a	Lock clasp	1	
9	GB/T 97.1-2002	Washer 8	4	
10	GB/T 93-1987	Spring washer 8	4	
11	GB/T 70.1-2000	Screw M8×20	4	
12	JCPT1212HD-141030a	Cross board	1	JCPT0808HD/DC JCPT1008HD/DC JCPT1012HD/DC JCPT1212HD/DC JCPT1412HD/DC
	JCPT1612DC-141030a	Cross board	1	JCPT1612HD/DC
13	GB/T 70.1-2000	Screw M5×12	4	
14	GB/T 93-1987	Spring washer 5	8	
15	GB/T 97.1-2002	Washer 5	8	
16	JCPT1212HD-101017	Travel switch mantle	2	
17	GB/T 70.1-2000	Screw M5×30	4	
18	6909-0752020-01	Travel switch	2	
19	8812-202320	Bearing	4	
20	8832-20	Bearing	4	
21	JCPT1212HD-141009	Cross board annul	4	
22	JCPT1212HD-141007	Cuprum cushion	2	
23	JCPT1212HD-141040a	Mid linkage welded body	1	

Figure 1-7 Pot Hole Protection Assembly

Item	Part Number	Description	Qty.	Remark
24	JCPT1212HD-141002	Nether linkage	2	JCPT0808HD/DC JCPT1008HD/DC JCPT1012HD/DC JCPT1212HD/DC JCPT1412HD/DC
	JCPT1612DC-141002	Nether linkage	2	JCPT1612HD/DC
25	8812-202310	Bearing	4	
26	JCPT1212HD-141001	Gas pole annul	2	
27	JB/T 8064.1-1996	Gas spring	2	
28	8812-252820	Bearing	4	
29	JCPT1212HD-141008	Orientation annul	2	
30	GB/T 75-1985	Screw M5x12	2	
31	JCPT1212HD-141006	Wheel annul	2	
32	JCPT1212HD-141005	Wheel	2	
33	GB/T 70.1-2000	Screw M10x25	8	
34	GB/T 93-1987	Spring washer 10	8	
35	GB/T 97.1-2002	Washer 10	4	
36	JCPT0808HD-142010	Press axes seat	1	JCPT0808HD/DC JCPT1008HD/DC
	JCPT1212HD-141050	Press axes seat	2	JCPT1012HD/DC JCPT1212HD/DC JCPT1412HD/DC JCPT1612HD/DC
37	8812-323620	Bearing	4	
38	JCPT1212HD-141110	Pot hole actuator weldment	2	JCPT0808HD/DC JCPT1008HD/DC JCPT1012HD/DC JCPT1212HD/DC JCPT1412HD/DC
	JCPT1612DC-141210	Pot hole actuator weldment	2	JCPT1612HD/DC
39	JCPT1212HD-141102	Spring	2	
40	JCPT0808HD-142101	Pot hole actuator pin	2	JCPT0808HD/DC JCPT1008HD/DC
	JCPT1212HD-141101	Pot hole actuator pin	2	JCPT1012HD/DC JCPT1212HD/DC JCPT1412HD/DC JCPT1612HD/DC

Figure 1-7 Pot Hole Protection Assembly

Item	Part Number	Description	Qty.	Remark
41	8812-242825	Bearing	2	

Figure 1-8 Battery Pack Module

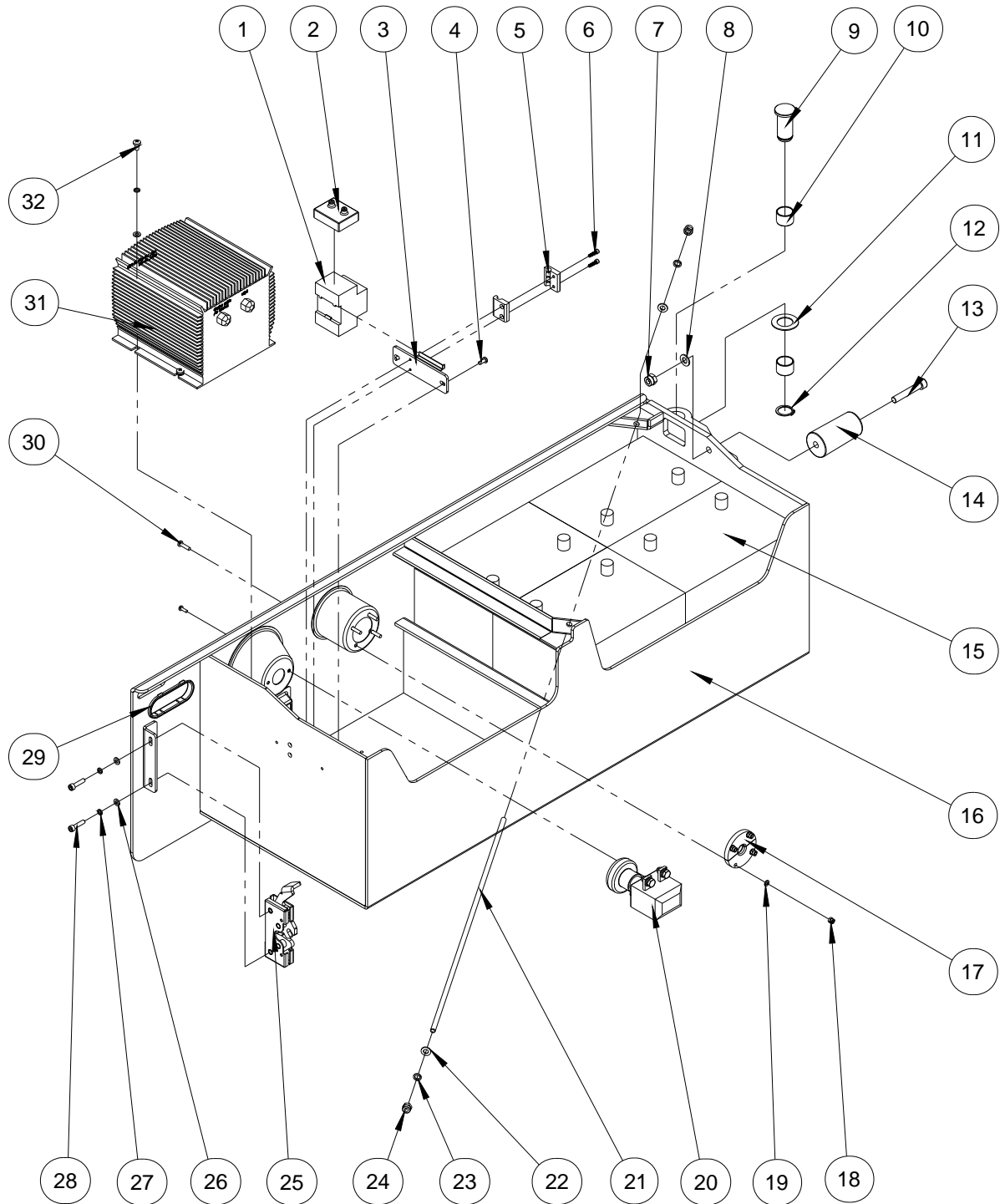


Figure 1-8 Battery Pack Module

Item	Part Number	Description	Qty.	Remark
1	6906-5200001-01	Charger Protector	1	Option
2	JCPT1212HD-121201	cover	1	
3	JCPT0807HD-121210	Seat	1	
4	GB/T 973-1976	Screw M5x12	4	
5	GTWY8-320019	Single Clip	2	
6	GB/T 70.1-2000	Screw M4x16	2	
7	GB/T 6182-2000	Nut M10	1	JCPT0808HD/DC JCPT1008HD/DC JCPT1012HD/DC
8	GB/T 97.1-2002	Washer 10	1	JCPT1212HD/DC JCPT1412HD/DC
9	JCPT1212HD-121001	Gate shaft	2	
10	8812-252820	Bearing	4	
11	8832-26	Bearing	2	
12	GB/T 894.1-1986	Circlips for shaft 25	2	
13	GB/T 70.1-2000	Screw M10X60	1	JCPT0808HD/DC JCPT1008HD/DC JCPT1012HD/DC
14	JCPT1212HD-121013	Rubber block	1	JCPT1212HD/DC JCPT1412HD/DC
15	6901-0306225-01	Battery	4	JCPT0808HD/DC JCPT1008HD/DC JCPT1012HD/DC
	6901-0306240-01	Battery	4	JCPT1212HD/DC
	6901-0312150-01	Battery	4	JCPT1412HD/DC JCPT1612HD/DC
16	JCPT1212HD-121100	Battery box	1	JCPT0808HD/DC JCPT1008HD/DC JCPT1012HD/DC JCPT1212HD/DC
	JCPT1412HD-121100	Battery box	1	JCPT1412HD/DC
	JCPT1612DC-121100	Battery box	1	JCPT1612HD/DC
17	JCPT1212HD-121003	Half-round batten	2	
18	GB/T 6182-2000	Nut M5	4	
19	GB/T 97.1-2002	Washer 5	4	
20	6909-0500260-01	Power switch	1	

Figure 1-8 Battery Pack Module

Item	Part Number	Description	Qty.	Remark
21	JCPT1212HD-121006	Perch	1	JCPT0808HD/DC JCPT1008HD/DC JCPT1012HD/DC JCPT1212HD/DC
	JCPT1412HD-121006	Perch	1	JCPT1412HD/DC JCPT1612HD/DC
22	GB/T 97.1-2002	Washer 8	2	
23	GB/T 93-1987	Spring washer 8	2	
24	GB/T 6170-2000	Nut M8	2	
25	50076-01	Lock	1	
26	GB/T 97.1-2002	Washer 6	6	
27	GB/T 93-1987	Spring washer 6	6	
28	GB/T 70.1-2000	Screw M6×25	2	
29	JCPT1212HD-121021	Handle hole ring	1	
30	GB/T 973-1976	Screw M5×16	4	
31	6901-0122425-01	Charger	1	
32	GB/T 818-2000	Screw M6×12-H	4	

Figure 1-9 Pumping station box (HD Motor Drive)

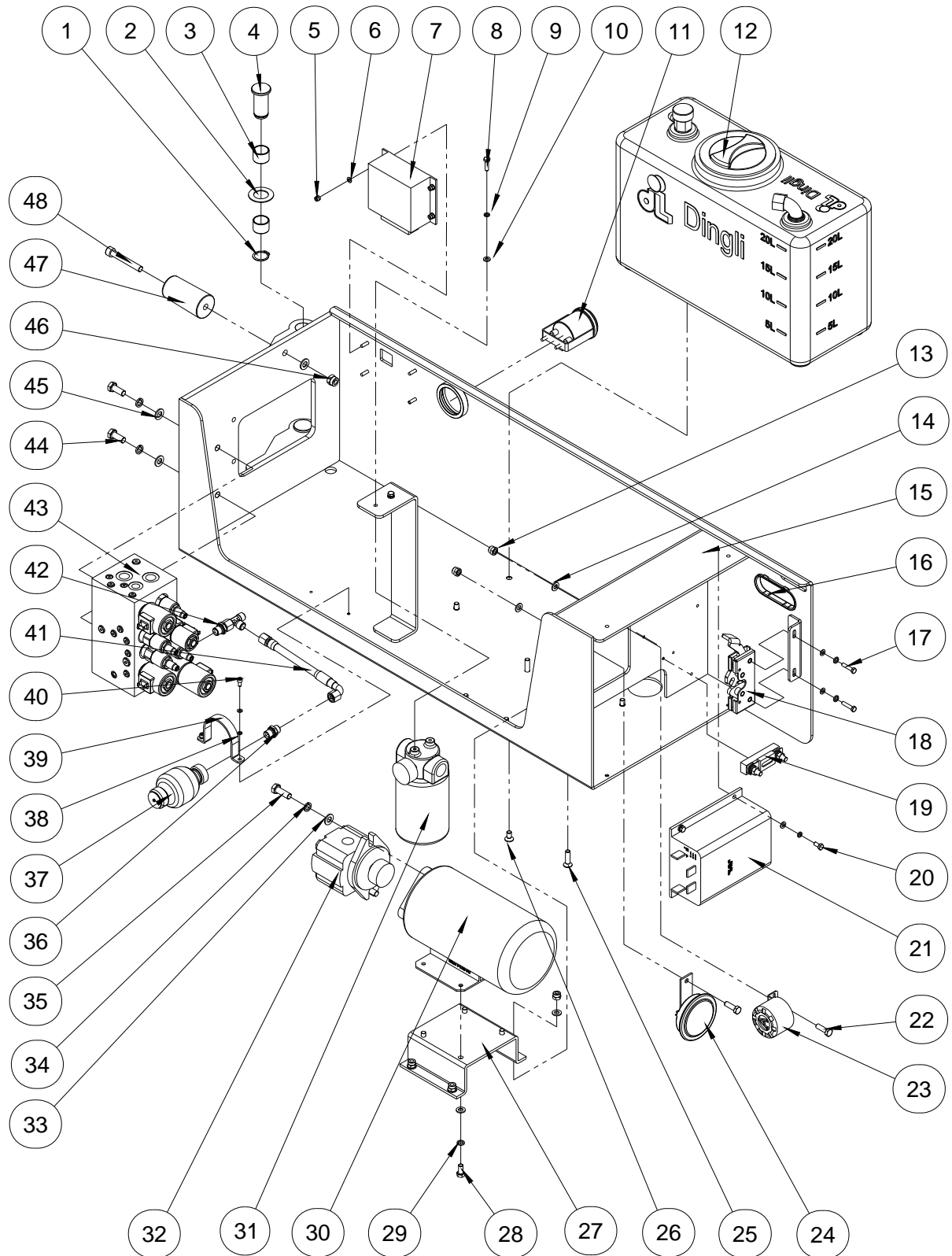


Figure 1-9 Pumping station box (HD Motor Drive)

Item	Part Number	Description	Qty.	Remark
1	GB/T 894.1-1986	Circlips for shaft 25	2	
2	8832-26	Bearing	2	
3	8812-252820	Bearing	4	
4	JCPT1212HD-121001	Gate shaft	2	
5	GB/T 6182-2000	Nut M5	4	
6	GB/T 97.1-2002	Washer 5	6	
7	6904-0102002-01	ECU modular	1	
8	GB/T 5783-2000	Bolt M6x20	2	
9	GB/T 93-1987	Spring washer 6	8	
10	GB/T 97.1-2002	Washer 6	8	
11	6908-0100103-01	Motor hour meter	1	
12	JCPT1212HD-551100	Hydraulic oil tank assembly (Refer to 1-11)	1	
13	GB/T 6182-2000	Nut M8	6	
14	GB/T 97.1-2002	Washer 8	10	
15	JCPT1212HD-131100	Pump box	1	JCPT0808HD JCPT1008HD JCPT1012HD JCPT1212HD JCPT1412HD
	JCPT1612HD-131100	Pump box	1	JCPT1612HD
16	JCPT1212HD-121021	Handle hole ring	1	
17	GB/T 5783-2000	Bolt M6x25	2	
18	50076-01	Lock	1	
19	6906-5102300-01	Fuse 300A	1	
20	GB/T 818-2000	Screw M6x16-H	4	
21	6904-0203275-02	Pump control	1	
22	GB/T 5783-2000	Bolt M8x25	2	
23	6915-0103000-01	Alarm	1	
24	6915-0203105-01	Horn	1	
25	GB/T 70.3-2000	Screw M8x25	4	
26	GB/T 70.3-2000	Screw M8x16	4	

Figure 1-9 Pumping station box (HD Motor Drive)

Item	Part Number	Description	Qty.	Remark
27	JCPT1212HD-131004	Motor plate	1	
28	GB/T 5783-2000	Bolt M8×16	4	
29	GB/T 93-1987	Spring washer 8	4	
30	6903-0103300-01	Motor	1	JCPT0808HD JCPT1008HD JCPT1012HD
	6903-0104500-01	Motor	1	JCPT1212HD JCPT1412HD JCPT1612HD
31	5899-0312	Oil filter	1	
--	5899-0412	Filter element	1	
32	5802-040-01	Pump	1	JCPT0808HD JCPT1008HD JCPT1012HD
	5802-045-01	Pump	1	JCPT1212HD JCPT1412HD JCPT1612HD
33	GB/T 848-1985	Washer 10	2	
34	GB/T 93-1987	Spring washer 10	4	
35	GB/T 70.1-2000	Screw M10×25	2	
36	GE10LMEDOMD	Fitting M14×1.5	1	Option
37	ND-0.075L/18.5Bar-AK-E1	Accumulator	1	
38	GB/T 93-1987	Spring washer 5	2	
39	JCPT1212HD-131201	Hoop	1	
40	GB/T 70.1-2000	Screw M5×10	2	
41	F462CACF84-200-0	Rubber hose 1SN06-190	1	
42	EL10LMDOMD	Fitting M14×1.5	1	
43	5805-01016	Valve	1	
44	GB/T 5783-2000	Bolt M10×30	2	
45	GB/T 97.1-2002	Washer 10	3	
46	GB/T 6182-2000	Nut M10	1	JCPT0808HD JCPT1008HD JCPT1012HD
47	JCPT1212HD-121013	Rubber pad	1	JCPT1212HD JCPT1412HD
48	GB/T 70.1-2000	Screw M10×60	1	JCPT1212HD JCPT1412HD

Figure 1-10 Pumping station box (DC Motor Drive)

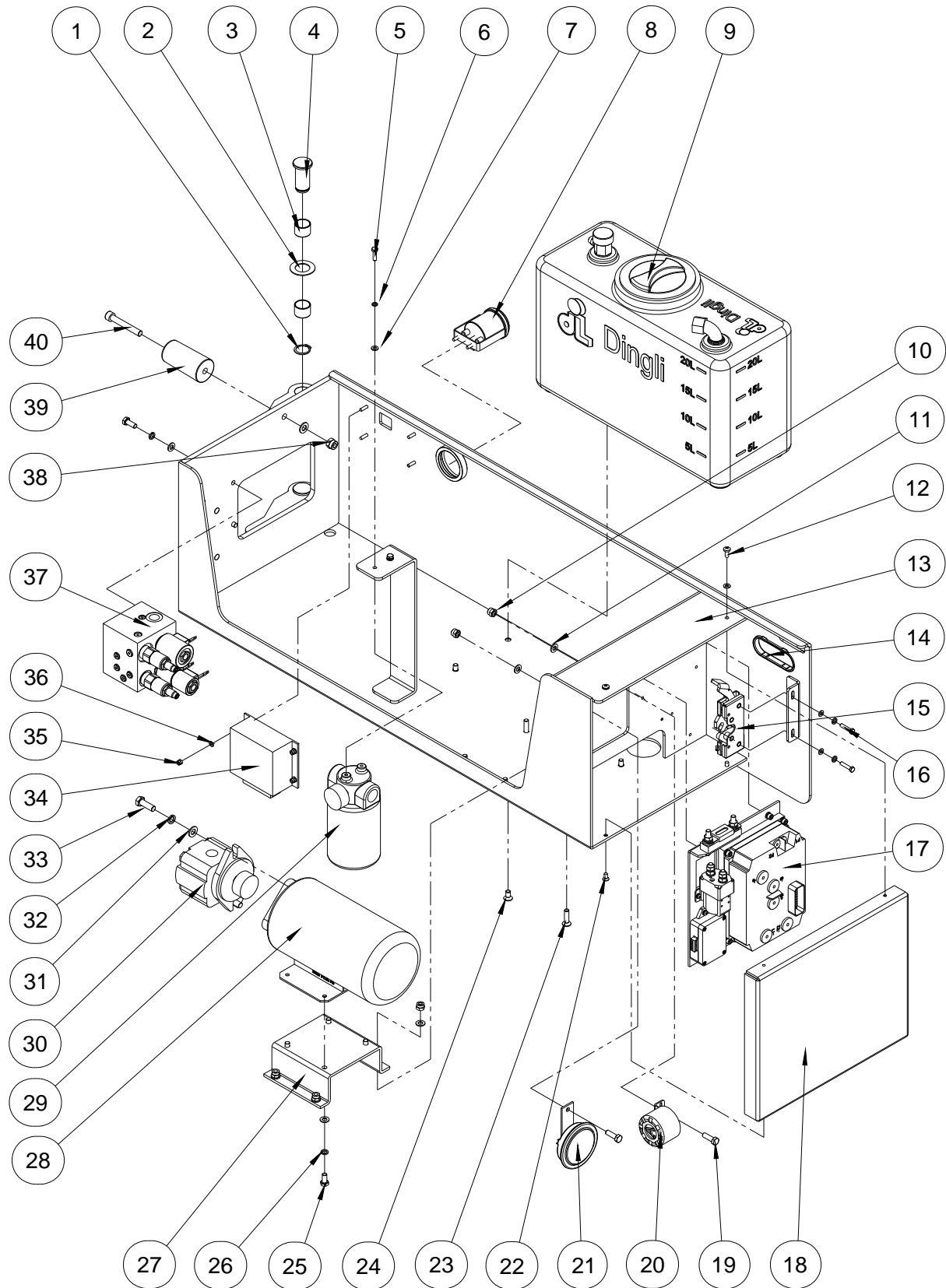


Figure 1-10 Pumping station box (DC Motor Drive)

Item	Part Number	Description	Qty.	Remark
1	GB/T 894.1-1986	Circlips for shaft 25	2	
2	8832-26	Bearing	2	
3	8812-252820	Bearing	4	
4	JCPT1212HD-121001	Gate shaft	2	
5	GB/T 5783-2000	Bolt M6×20	2	
6	GB/T 93-1987	Spring washer 6	4	
7	GB/T 97.1-2002	Washer 6	6	
8	6908-0100103-01	Motor hour meter	1	
9	JCPT1212HD-551100	Hydraulic oil tank assembly (Refer to 1-11)	1	
10	GB/T 6182-2000	Nut M8	10	
11	GB/T 97.1-2002	Washer 8	14	
12	GB/T 818-2000	Screw M6×16-H	2	
13	JCPT1212HD-131100	Pump box	1	JCPT0808DC JCPT1008DC JCPT1012DC JCPT1212DC JCPT1412DC
	JCPT1612HD-131100	Pump box	1	JCPT1612DC
14	JCPT1212HD-121021	Handle hole ring	1	
15	50076-01	Lock	1	
16	GB/T 5783-2000	Bolt M6×25	2	
17	JCPT1212HD-711100	Control Electrical	1	
18	JCPT1212HD-131001	Cover	1	
19	GB/T 5783-2000	Bolt M8×25	6	
20	6915-0103000-01	Alarm	1	
21	6915-0203105-01	Horn	1	
22	GB/T 819.1-2000	Screw M6×12-H	2	
23	GB/T 70.3-2000	Screw M8×25	4	
24	GB/T 70.3-2000	Screw M8×16	4	
25	GB/T 5783-2000	Bolt M8×16	4	

Figure 1-10 Pumping station box (DC Motor Drive)

Item	Part Number	Description	Qty.	Remark
26	GB/T 93-1987	Spring washer 8	8	
27	JCPT1212HD-131004	Motor plate	1	
28	6903-0103300-01	Motor	1	JCPT0808DC JCPT1008DC JCPT1012DC
	6903-0104500-01	Motor	1	JCPT1212DC JCPT1412DC JCPT1612DC
29	5899-0312	Oil filter	1	
--	5899-0412	Filter element	1	
30	5802-040-01	Pump	1	JCPT0808DC JCPT1008DC JCPT1012DC
	5802-045-01	Pump	1	JCPT1212DC JCPT1412DC JCPT1612DC
31	GB/T 97.1-2002	Washer 10	3	
32	GB/T 93-1987	Spring washer 10	2	
33	3/8-24x1.5-C	Bolt 3/8-24x1.5-C	2	
34	6904-0102002-01	ECU modular	1	
35	GB/T 6182-2000	Nut M5	4	
36	GB/T 97.1-2002	Washer 5	4	
37	5805-01015	Valve	1	
38	GB/T 6182-2000	Nut M10	1	JCPT0808DC JCPT1008DC
39	JCPT1212HD-121013	Rubber pad	1	JCPT1012DC JCPT1212DC
40	GB/T 70.1-2000	Screw M10x60	1	JCPT1412DC

Figure 1-11 Hydraulic Tank

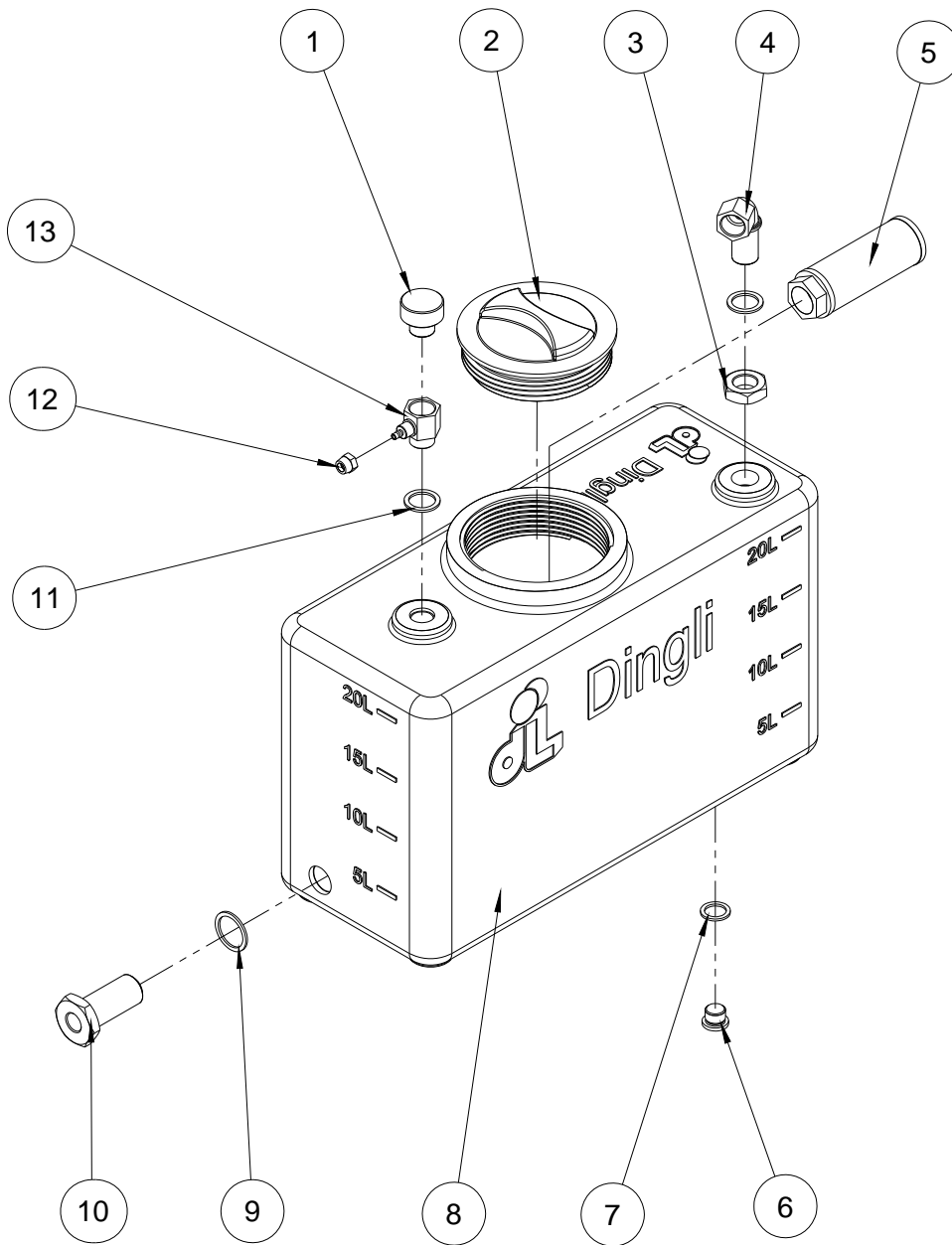


Figure 1-11 Hydraulic Tank

Item	Part Number	Description	Qty.	Remark
1	7JAA002	Breath nut	1	
2	JCPT1212HD-551001	Cover	1	
3	GB/T 6173-2000	Nut M22x1.5	1	
4	WSV15LA3C	Fitting M22x1.5	1	
5	5899-0911	Filter	1	
6	JB/ZQ4444-1986	Plug screw	1	
7	JB/T982-1977	Washer 18	1	
8	JCPT1212HD-551002	Tank	1	
9	JCPT1212HD-551003	Washer 27	1	
10	JCPT1212HD-551004	Nut	1	
11	JB/T982-1977	Washer 22	2	
12	TYGJT-302	Nut	1	
13	TYGJT-401B	Seat	1	

Figure 1-12 Control Electrical (DC Motor Drive)

Item	Part Number	Description	Qty.	Remark
1	GB/T 93-1987	Spring washer 8	2	
2	GB/T6170-2000	Nut M8	2	
3	GB/T 97.1-2002	Washer 8	2	
4	6906-5102300-01	Fuse 300A	1	
5	GB/T 818-2000	Screw M4×16-H	2	
6	6906-9100002-01	Fuse seat	1	
7	JCPT1212DC-711101	Seat	1	
8	6904-0204300-01	Drive controller	1	
9	GB/T 97.1-2002	Washer 6	7	
10	GB/T 93-1987	Spring washer 6	7	
11	GB/T 70.1-2000	Screw M6×20	4	
12	GB/T 70.1-2000	Screw M6×12	3	
13	GB/T 93-1987	Spring washer 4	6	
14	GB/T 818-2000	Screw M4×12-H	2	
15	GB/T 97.1-2002	Washer 4	6	
16	6904-5090004-01	Control modular	1	
17	GB/T 818-2000	Screw M4×8-H	2	
18	6906-0303100-01	DC Contactor	1	

Figure 1-13 Limit Switch Assembly

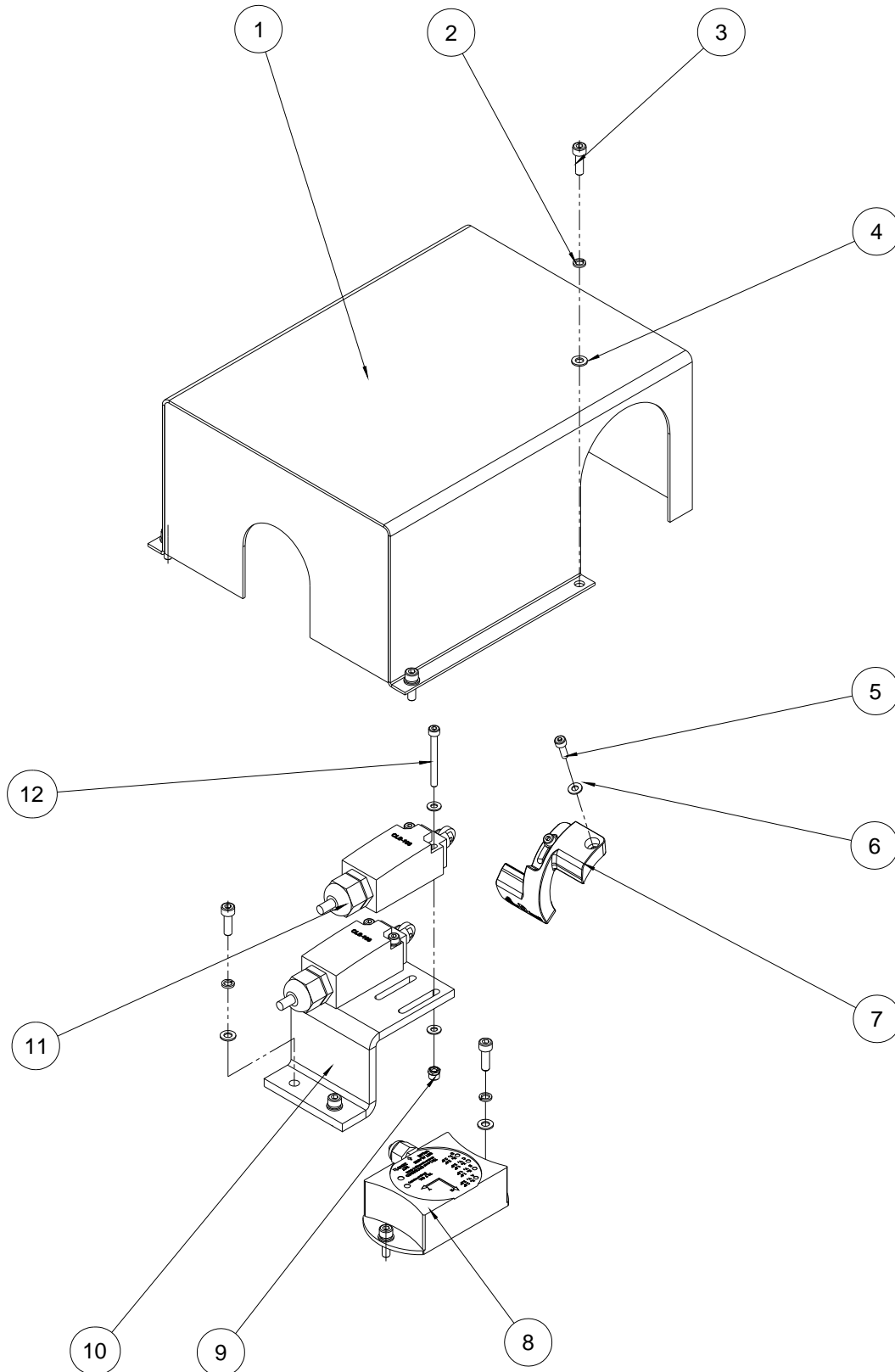


Figure 1-13 Limit Switch Assembly

Item	Part Number	Description	Qty.	Remark
1	JCPT1212HD-710014	Cover	1	
2	GB/T 93-1987	Spring washer 5	8	
3	GB/T 70.1-2000	Screw M5x16	8	
4	GB/T 97.1-2002	Washer 5	8	
5	GB/T 70.1-2000	Screw M4x12	2	
6	GB/T 97.1-2002	Washer 4	10	
7	JCPT1212HD-710039	Signal plate	1	
8	6905-0200021-01	Level sensor	1	
9	GB/T 889.1-2000	Nut M4	4	
10	JCPT1212HD-710043	Key seat	1	
11	6909-0752020-01	Travel switch	2	
12	GB/T 70.1-2000	Screw M4x40	4	

Figure 1-14 Oil Pipe Btacket Assembly (HD Motor Drive)

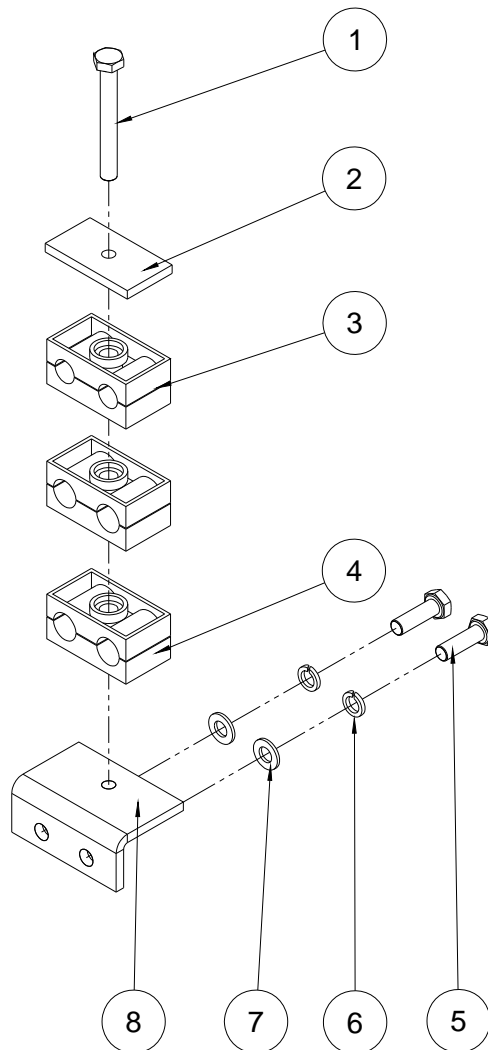


Figure 1-14 Oil Pipe Btacket Assembly (HD Motor Drive)

Item	Part Number	Description	Qty.	Remark
1	GB/T 5780-2000	Bolt M8x65	1	
2	TT-G2	Baseplate	1	
3	5899-1211	Oil pipe clamp 212.7	1	
4	5899-1212	Oil pipe clamp 215	2	
5	GB/T 5781-2000	Bolt M8x25	2	
6	GB/T 93-1987	Spring washer 8	2	
7	GB/T 97.1-2002	Washer 8	2	
8	JCPT1212HD-571101	Bracket	1	

Figure 1-15 Oil Pipe Btacket Assembly (DC Motor Drive)

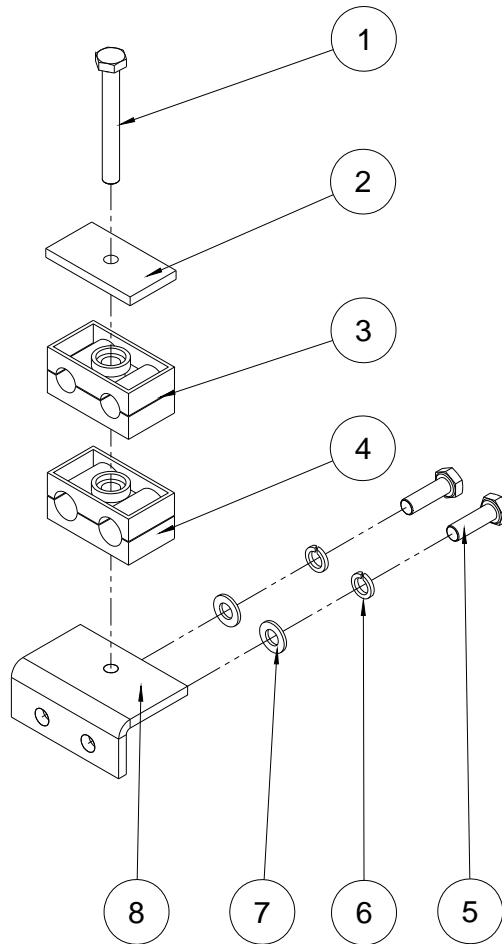


Figure 1-15 Oil Pipe Btacket Assembly (DC Motor Drive)

Item	Part Number	Description	Qty.	Remark
1	GB/T 5780-2000	Bolt M8x65	1	
2	TT-G2	Baseplate	1	
3	5899-1211	Oil pipe clamp 212.7	1	
4	5899-1212	Oil pipe clamp 215	1	
5	GB/T 5781-2000	Bolt M8x25	2	
6	GB/T 93-1987	Spring washer 8	2	
7	GB/T 97.1-2002	Washer 8	2	
8	JCPT1212HD-571101	Bracket	1	

Figure 1-16 Ground Control Panel Assembly

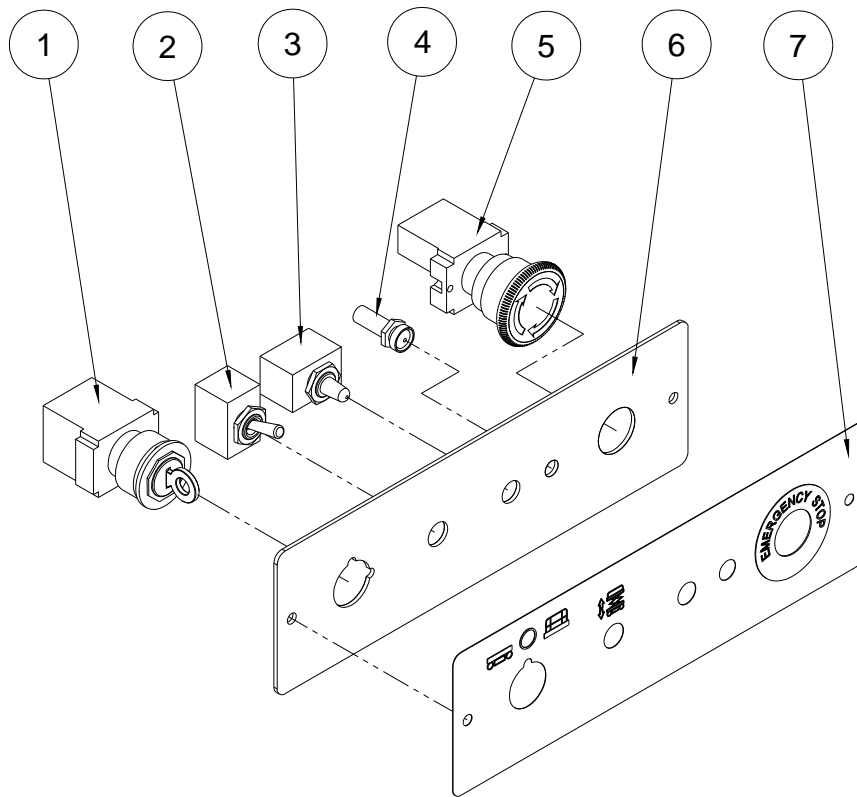


Figure 1-16 Ground Control Panel Assembly

Item	Part Number	Description	Qty.	Remark
1	6909-0400032-01	Key switch	1	
2	6909-0100322-02	Up-down switch	1	
3	6906-5103007-01	7 amp breaker for electric circuits	1	
4	6914-0300034-01	Indicator	1	
5	6909-0501140-01	Emergency stop	1	
6	JCPT1212HD-101401	Panel	1	
7	JCPT1212HD-101402	Paster	1	

Figure 1-17 Manual Pump Assembly (HD Motor Drive)

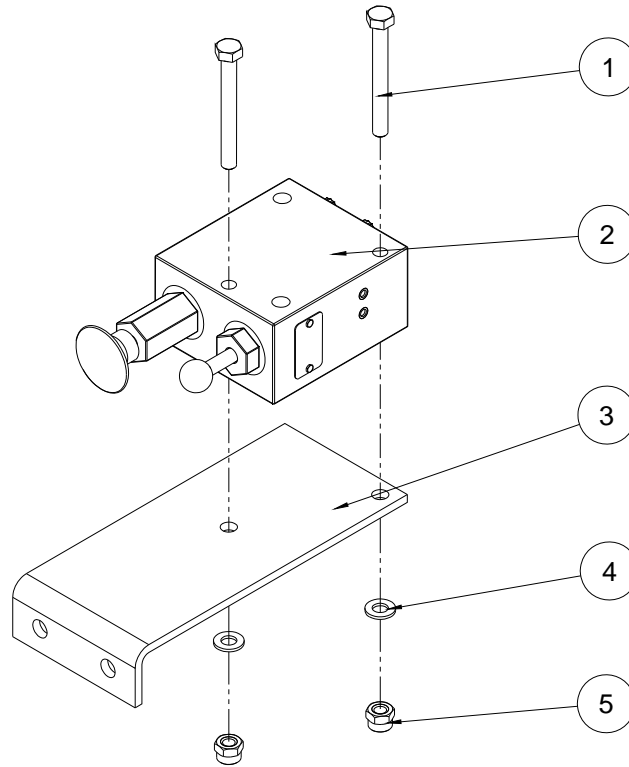


Figure 1-17 Manual Pump Assembly (HD Motor Drive)

Item	Part Number	Description	Qty.	Remark
1	GB/T 5782-2000	Bolt M8x70	2	
2	5811-0111	Manual pump	1	
3	JCPT1212HD-101201	Mounting plate	1	
4	GB/T 97.1-2002	Washer 8	2	
5	GB/T 6182-2000	Nut M8	2	

Scissor

Section 2

Figure 2-1 Scissor and Chassis Installations

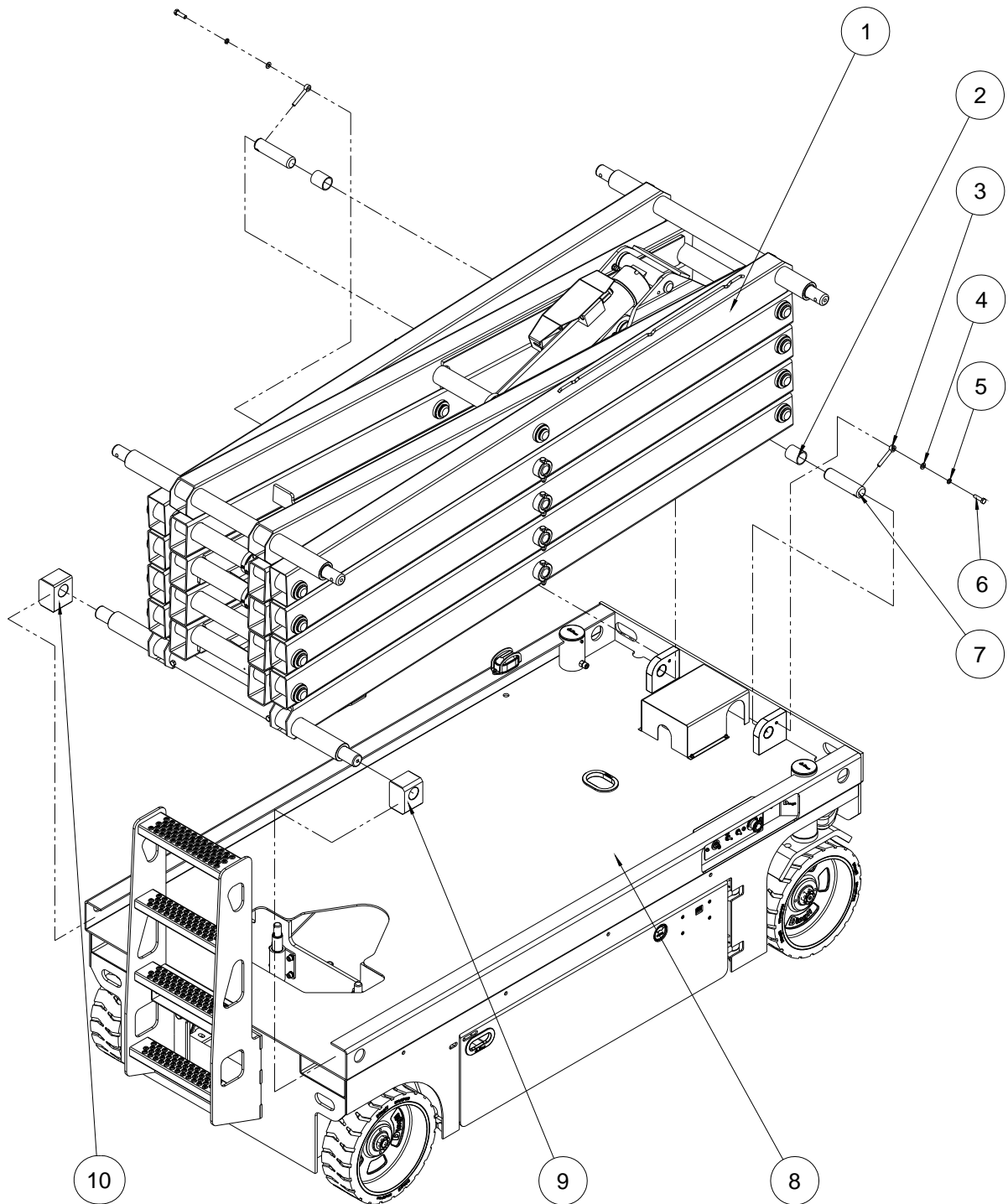


Figure 2-1 Scissor and Chassis Installations

Item	Part Number	Description	Qty.	Remark
1	JCPT0808HD-310000	Scissor assembly (Refer to 2-2)	1	JCPT0808HD/DC
	JCPT1008HD-310000	Scissor assembly (Refer to 2-3)	1	JCPT1008HD/DC
	JCPT1012HD-310000	Scissor assembly (Refer to 2-3)	1	JCPT1012HD/DC
	JCPT1212HD-310000	Scissor assembly (Refer to 2-4)	1	JCPT1212HD/DC
	JCPT1412DC-310000	Scissor assembly (Refer to 2-5)	1	JCPT1412HD/DC
	JCPT1612DC-320000	Scissor assembly (Refer to 2-5)	1	JCPT1612HD/DC
2	8813-38.1×44.45×50.8	Bearing CRB-38.1×44.45×50.8	2	
3	8902-10080	Axle 10×80	2	
4	GB/T 97.1-2002	Washer 10	2	
5	GB/T 93-1987	Spring washer 10	2	
6	GB/T 5783-2000	Bolt M10×35	2	
7	JCPT1212HD-310007	Fastness base Axle	2	
8	JCPT0808HD-101000	Chassis assembly (Refer to 1-1)	1	JCPT0808HD JCPT1008HD
	JCPT0808DC-100000	Chassis assembly (Refer to 1-1)	1	JCPT0808DC JCPT1008DC
	JCPT1012HD-101000	Chassis assembly (Refer to 1-2)	1	JCPT1012HD
	JCPT1012DC-101000	Chassis assembly (Refer to 1-2)	1	JCPT1012DC
	JCPT1212HD-101000	Chassis assembly (Refer to 1-2)	1	JCPT1212HD
	JCPT1212DC-101000	Chassis assembly (Refer to 1-2)	1	JCPT1212DC
	JCPT1412HD-101000	Chassis assembly (Refer to 1-2)	1	JCPT1412HD
	JCPT1412DC-101000	Chassis assembly (Refer to 1-2)	1	JCPT1412DC
	JCPT1612HD-102000	Chassis assembly (Refer to 1-2)	1	JCPT1612HD
	JCPT1612DC-101000	Chassis assembly (Refer to 1-2)	1	JCPT1612DC
9	JCPT1212HD-310009a	Bottom slider	1	
10	JCPT1212HD-310009	Bottom slider	1	

Figure 2-2 Scissor Assembly (JCPT0808HD/DC)

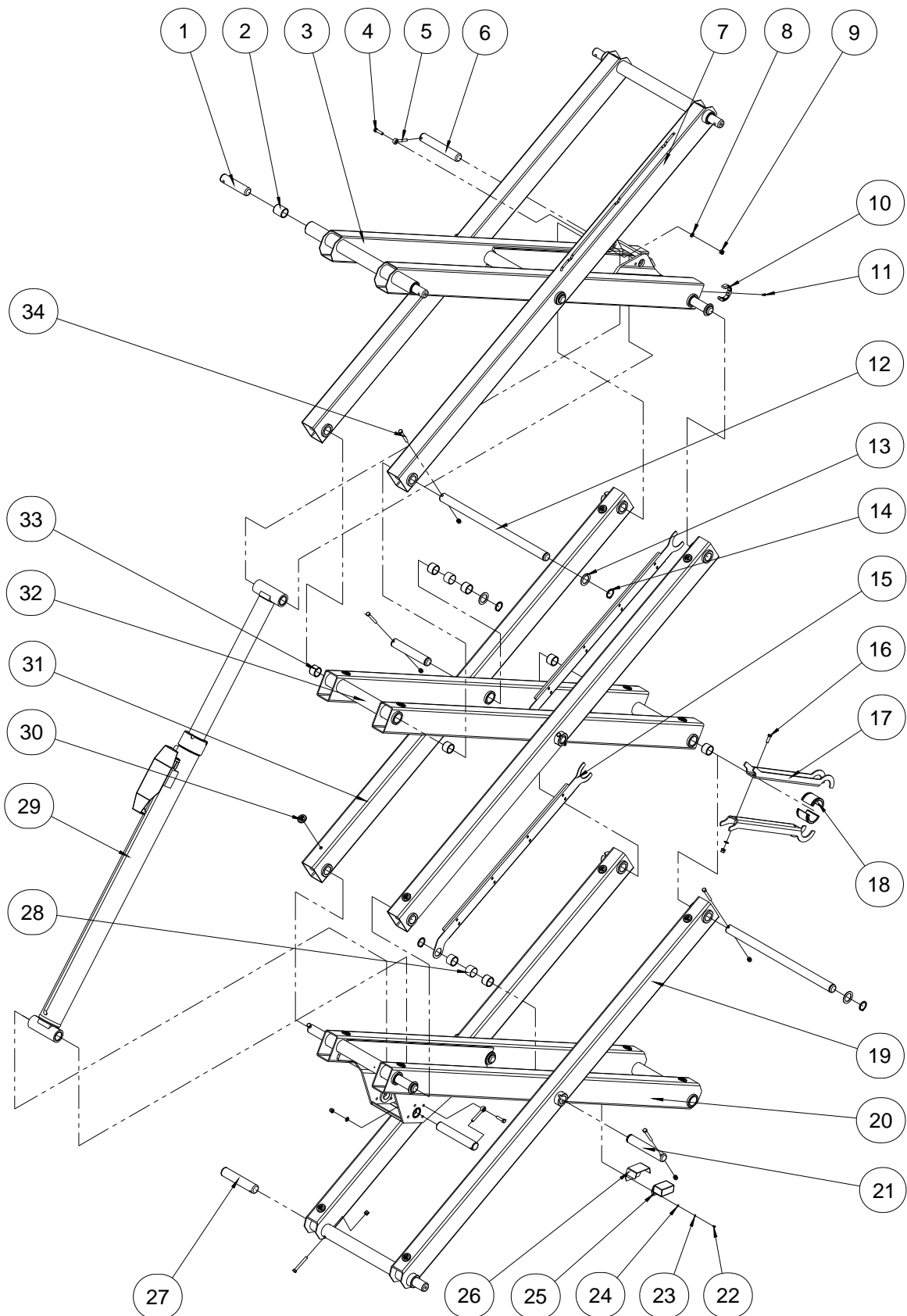


Figure 2-2 Scissor Assembly (JCPT0808HD/DC)

Item	Part Number	Description	Qty.	Remark
1	JCPT1212HD-310010	Pin	4	
2	8813-38.1×44.45×50.8	Bearing CRB-38.1×44.45×50.8	4	
3	JCPT0808HD-315100	Inner arm 3	1	
4	GB/T 5783-2000	Bolt M10×40	2	
5	8902-10080	Axle 10×80	2	
6	JCPT1212HD-310004	Cylinder axle	2	
7	JCPT0808HD-316100	Inner arm 3	1	
8	GB/T 97.1-2002	Washer 10	4	
9	GB/T 6182-2000	Nut M10	15	
10	JCPT1212HD-310015	Uncork washer	2	
11	GB/T 819.1-2000	Screw M5×16	2	
12	JCPT1212HD-310005	Long Axle	5	
13	JCPT1212HD-310003	Washer	7	
14	GB/T 894.1-1986	Circlips for shaft D38×2.5	9	
15	JCPT1212HD-310034	Through line Bridge 1	2	
16	GB/T 5783-2000	Bolt M10×30	2	
17	JCPT1212HD-310021	Safety arm	2	
18	JCPT1212HD-310022	Safety arm bushing	2	
19	JCPT0808HD-312100	Outer arm 1	1	
20	JCPT1212HD-311100	Inner arm 1	1	
21	JCPT1212HD-310002	Pin	4	
22	GB/T 70.1-2000	Screw M4×12	2	
23	GB/T 97.1-2002	Washer 4	2	
24	GB/T 93-1987	Spring washer 4	2	
25	6905-0200011-01	Sensor	1	
26	JCPT0807-110022L	Sensor Cover	1	
27	JCPT0808HD-310008	Pin	2	
28	JCPT1212HD-310012	Spacer sleeve	4	
29	JCPT1212HD-531000	Lower lift cylinder (Refer to 4-1)	1	

Figure 2-2 Scissor Assembly (JCPT0808HD/DC)

Item	Part Number	Description	Qty.	Remark
30	JCPT1212HD-310038	Block	16	
31	JCPT1212HD-314100	Outer arm	1	
32	JCPT1212HD-313100	Inner arm 2	1	
33	8813-38.1x44.45x31.75	Bearing CRB-38.1x44.45x31.75	18	
34	GB/T 5782-2000	Bolt M10x80	11	

Figure 2-3 Scissor Assembly (JCPT1008HD/DC~JCPT1012HD/DC)

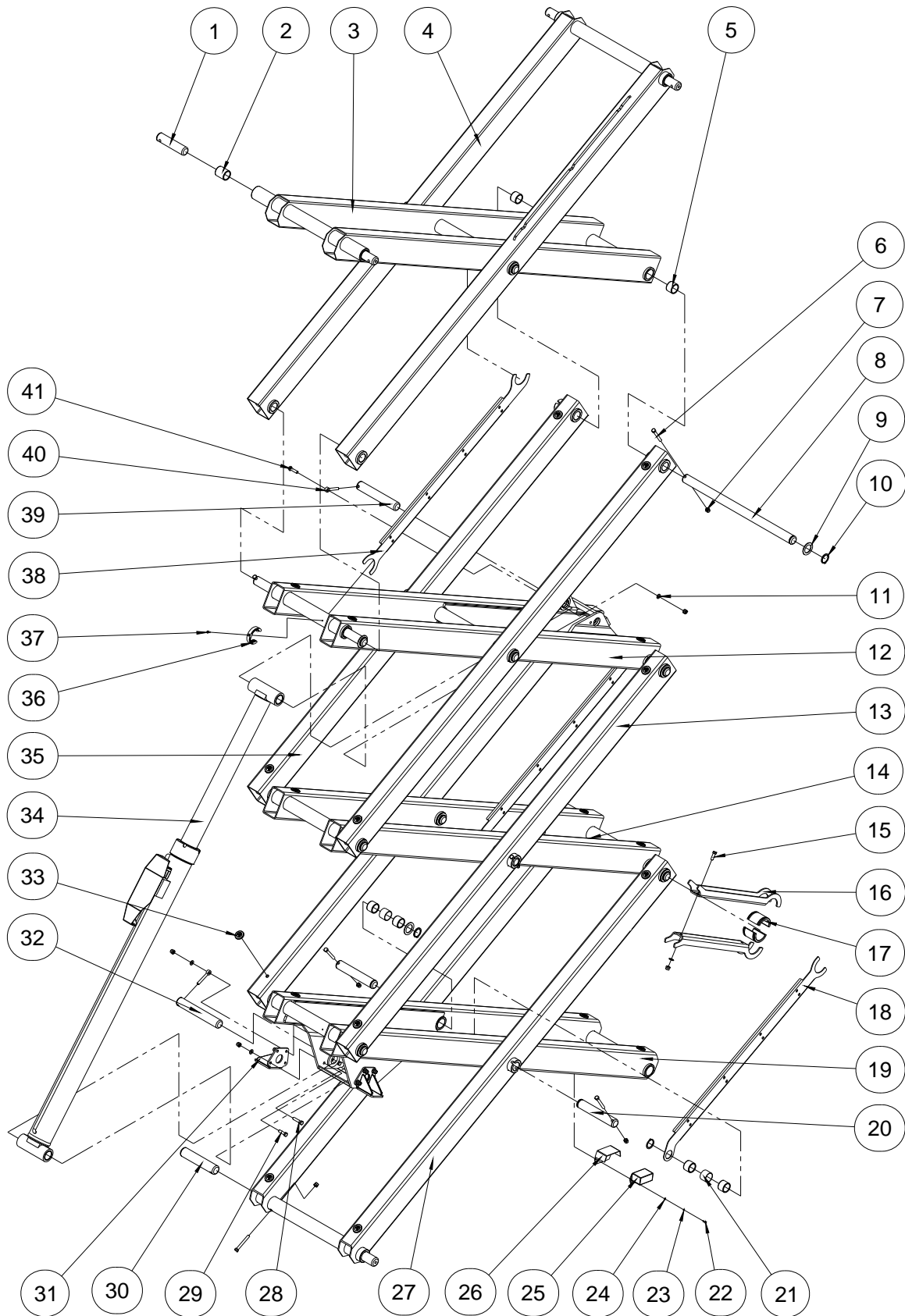


Figure 2-3 Scissor Assembly (JCPT1008HD/DC~JCPT1012HD/DC)

Item	Part Number	Description	Qty.	Remark
1	JCPT1212HD-310010	Pin	4	
2	8813-38.1x44.45x50.8	Bearing CRB-38.1x44.45x50.8	4	
3	JCPT1008HD-317100	Inner arm 4	1	JCPT1008HD/DC
	JCPT1012HD-317100	Inner arm 4	1	JCPT1012HD/DC
4	JCPT0808HD-316100	Outer arm 3	1	JCPT1008HD/DC
	JCPT1212HD-318100	Outer arm 5	1	JCPT1012HD/DC
5	8813-38.1x44.45x31.75	Bearing CRB-38.1x44.45x31.75	24	
6	GB/T 5782-2000	Bolt M10x80	14	
7	GB/T 6182-2000	Nut M10	25	
8	JCPT1212HD-310005	Long Axle	8	
9	JCPT1212HD-310003	Washer	10	
10	GB/T 894.1-1986	Circlips for shaft D38x2.5	12	
11	GB/T 97.1-2002	Washer 10	11	
12	JCPT1008HD-315100	Inner arm 3	1	
13	JCPT1212HD-314100	Outer arm	1	
14	JCPT1212HD-313100	Inner arm 2	1	
15	GB/T 5783-2000	Bolt M10x30	2	
16	JCPT1212HD-310021	Safety arm	2	
17	JCPT1212HD-310022	Safety arm bushing	2	
18	JCPT1212HD-310034	Through line Bridge 1	2	
19	JCPT1212HD-311100	Inner arm 1	1	
20	JCPT1212HD-310002	Pin	4	
21	JCPT1212HD-310012	Spacer sleeve	4	
22	GB/T 70.1-2000	Screw M4x12	2	
23	GB/T 93-1987	Spring washer 4	2	
24	GB/T 97.1-2002	Washer 4	2	
25	6905-0200011-01	Sensor	1	
26	JCPT0807-110022L	Sensor Cover	1	

Figure 2-3 Scissor Assembly (JCPT1008HD/DC~JCPT1012HD/DC)

Item	Part Number	Description	Qty.	Remark
27	JCPT0808HD-312100	Outer arm 1	1	JCPT1008HD/DC
	JCPT1212HD-312100	Outer arm 1	1	JCPT1012HD/DC
28	GB/T 5783-2000	Bolt M10×45	1	
29	GB/T 5783-2000	Bolt M10×35	7	
30	JCPT0808HD-310008	Pin	2	
31	JCPT1212HD-310060	Pot hole pusher	2	
32	JCPT1212HD-310011	Long cylinder axle	1	
33	JCPT1212HD-310038	Block	24	
34	JCPT1212HD-531000	Lower lift cylinder (Refer to 4-1)	1	
35	JCPT1008HD-316100	Outer arm 3	1	
36	JCPT1212HD-310015	Uncork washer	4	
37	GB/T 70.3-2000	Screw M5×16	4	
38	JCPT1212HD-310036	Through line Bridge 2	1	
39	JCPT1212HD-310004	Cylinder axle	1	
40	8902-10080	Axle 10×80	2	
41	GB/T 5783-2000	Bolt M10×35	1	

Figure 2-4 Scissor Assembly (JCPT1212HD/DC)

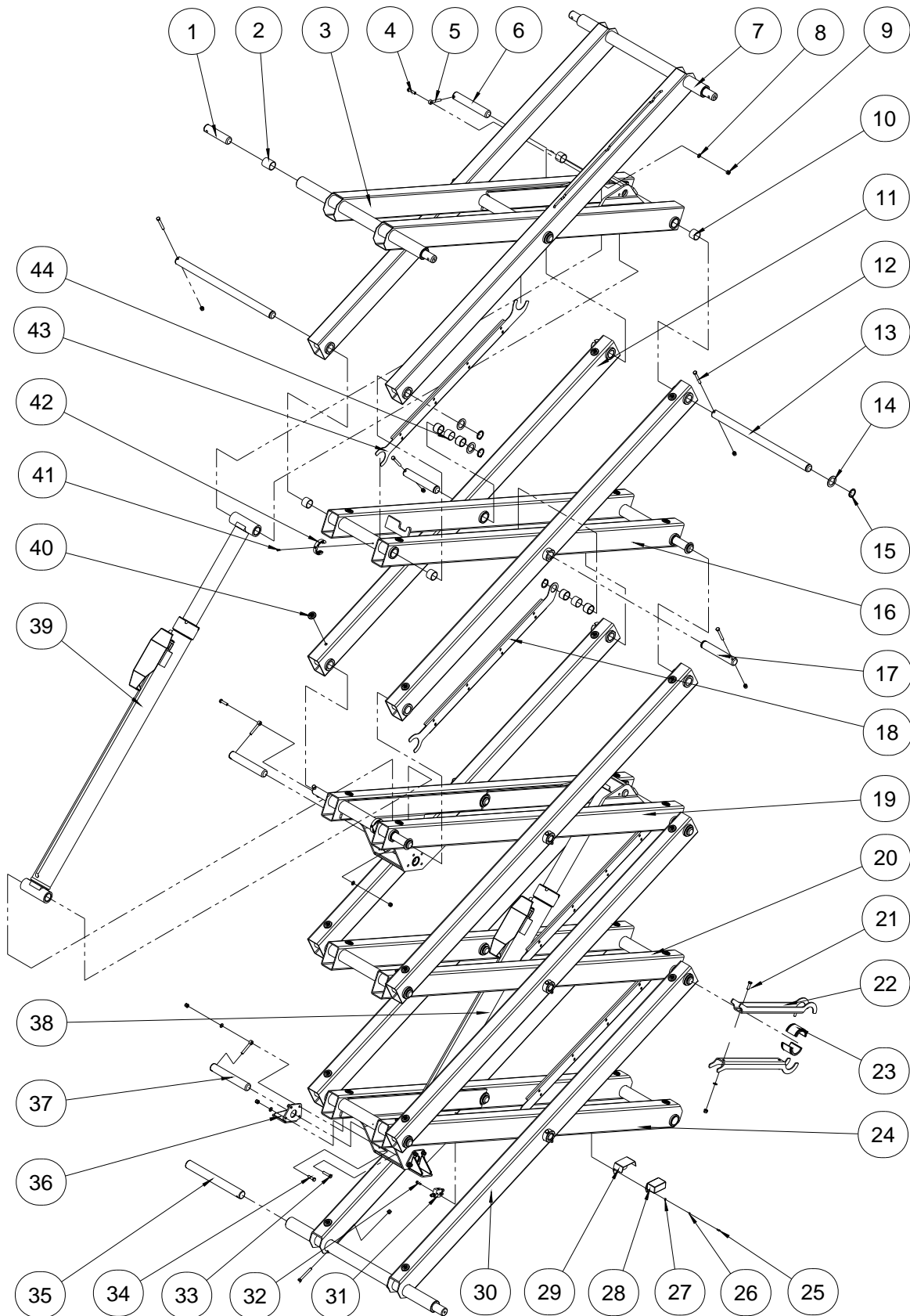


Figure 2-4 Scissor Assembly (JCPT1212HD/DC)

Item	Part Number	Description	Qty.	Remark
1	JCPT1212HD-310010	Pin	4	
2	8813-38.1x44.45x50.8	Bearing CRB-38.1x44.45x50.8	4	
3	JCPT1212HD-319100	Inner arm 5	1	
4	GB/T 5783-2000	Bolt M10x35	3	
5	8902-10080	Axle 10x80	4	
6	JCPT1212HD-310004	Cylinder axle	3	
7	JCPT1212HD-318100	Outer arm 5	1	
8	GB/T 97.1-2002	Washer 10	13	
9	GB/T 6182-2000	Nut M10	32	
10	8813-38.1x44.45x31.75	Bearing CRB-38.1x44.45x31.75	34	
11	JCPT1212HD-314100	Outer arm	3	
12	GB/T 5782-2000	Bolt M10x80	19	
13	JCPT1212HD-310005	Long Axle	9	
14	JCPT1212HD-310003	Washer	14	
15	GB/T 894.1-1986	Circlips for shaft D38x2.5	16	
16	JCPT1212HD-317100	Inner arm 4	1	
17	JCPT1212HD-310002	Pin	8	
18	JCPT1212HD-310034	Through line Bridge 1	3	
19	JCPT1212HD-315100	Inner arm 3	1	
20	JCPT1212HD-313100	Inner arm 2	1	
21	GB/T 5783-2000	Bolt M10x30	2	
22	JCPT1212HD-310021	Safety arm	2	
23	JCPT1212HD-310022	Safety arm bushing	2	
24	JCPT1212HD-311100	Inner arm 1	1	
25	GB/T 70.1-2000	Screw M4x12	2	
26	GB/T 97.1-2002	Washer 4	2	
27	GB/T 93-1987	Spring washer 4	2	
28	6905-0200011-01	Sensor	1	
29	JCPT0807-110022L	Sensor Cover	1	

Figure 2-4 Scissor Assembly (JCPT1212HD/DC)

Item	Part Number	Description	Qty.	Remark
30	JCPT1212HD-312100	Outer arm 1	1	
31	JCPT1212HD-520300	Hydraulic hoses manifolds	1	
32	GB/T 70.3-2000	Screw M6x25	2	
33	GB/T 5783-2000	Bolt M10x50	1	
34	GB/T 5783-2000	Bolt M10x40	7	
35	JCPT1212HD-310008	Pin	2	
36	JCPT1212HD-310060	Pot hole pusher	2	
37	JCPT1212HD-310011	Long cylinder axle	1	
38	JCPT1212HD-531000	Lower lift cylinder (Refer to 4-1)	1	
39	JCPT1212HD-532000	Upper lift cylinder (Refer to 4-2)	1	
40	JCPT1212HD-310038	Block	32	
41	GB/T 70.3-2000	Screw M5x16	5	
42	JCPT1212HD-310015	Uncork washer	5	
43	JCPT1212HD-310036	Through line Bridge 2	1	
44	JCPT1212HD-310012	Spacer sleeve	8	

Figure 2-5 Scissor Assembly (JCPT1412HD/DC~JCPT1612HD/DC)

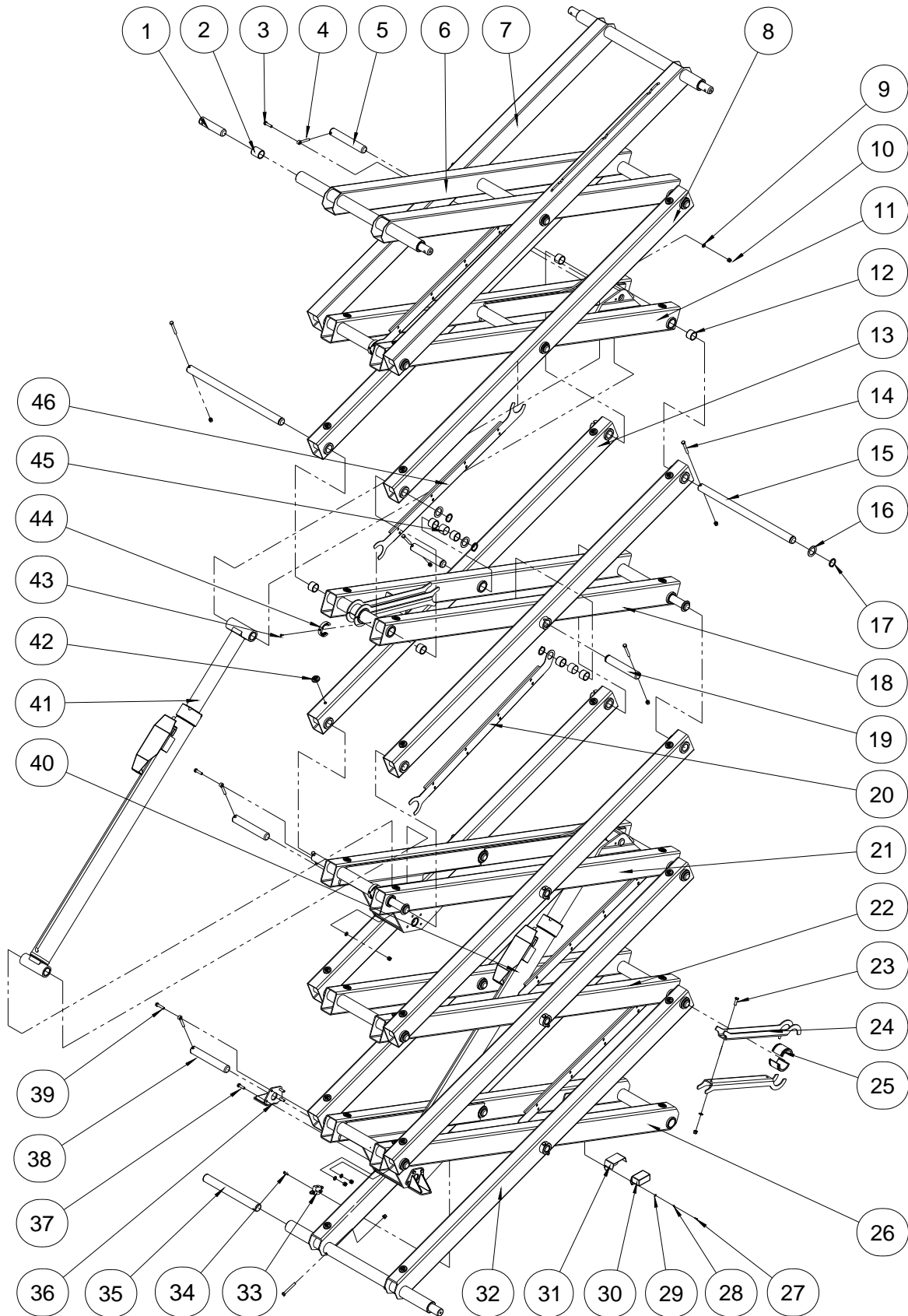


Figure 2-5 Scissor Assembly (JCPT1412HD/DC~JCPT1612HD/DC)

Item	Part Number	Description	Qty.	Remark
1	JCPT1212HD-310010	Pin	4	
2	8813-38.1x44.45x50.8	Bearing CRB-38.1x44.45x50.8	4	
3	GB/T 5783-2000	Bolt M10x40	3	
4	8902-10080	Axle 10x80	4	
5	JCPT1212HD-310004	Cylinder axle	3	
6	JCPT1012HD-317100	Inner arm 4	1	JCPT1412HD/DC
	JCPT1612DC-329100	Inner arm 6	1	JCPT1612HD/DC
7	JCPT1212HD-318100	Outer arm 5	1	JCPT1412HD/DC
	JCPT1612DC-328100	Outer arm 6	1	JCPT1612HD/DC
8	JCPT1008HD-316100	Outer arm 3	1	JCPT1412HD/DC
	JCPT1612DC-324200	Outer arm 5	1	JCPT1612HD/DC
9	GB/T 97.1-2002	Washer 10	15	
10	GB/T 6182-2000	Nut M10	37	
11	JCPT1008HD-315100	Inner arm 3	1	JCPT1412HD/DC
	JCPT1612DC-326100	Inner arm 5	1	JCPT1612HD/DC
12	8813-38.1x44.45x31.75	Bearing CRB-38.1x44.45x31.75	40	
13	JCPT1212HD-314100	Outer arm	3	JCPT1412HD/DC
	JCPT1612DC-324100	Outer arm 2-4	3	JCPT1612HD/DC
14	GB/T 5782-2000	Bolt M10x80	22	
15	JCPT1212HD-310005	Long Axle	12	
16	JCPT1212HD-310003	Washer	17	
17	GB/T 894.1-1986	Circlips for shaft D38x2.5	20	
18	JCPT1212HD-317100	Inner arm 4	1	JCPT1412HD/DC
	JCPT1612DC-327100	Inner arm 4	1	JCPT1612HD/DC
19	JCPT1212HD-310002	Pin	8	
20	JCPT1212HD-310034	Through line Bridge 1	3	JCPT1412HD/DC
	JCPT1612DC-310034	Through line Bridge 1	3	JCPT1612HD/DC
21	JCPT1212HD-315100	Inner arm 3	1	JCPT1412HD/DC
	JCPT1612DC-325100	Inner arm 3	1	JCPT1612HD/DC

Figure 2-5 Scissor Assembly (JCPT1412HD/DC~JCPT1612HD/DC)

Item	Part Number	Description	Qty.	Remark
22	JCPT1212HD-313100	Inner arm 2	1	JCPT1412HD/DC
	JCPT1612DC-323100	Inner arm 2	1	JCPT1612HD/DC
23	GB/T 5783-2000	Bolt M10×30	4	
24	JCPT1212HD-310021	Safety arm	4	
25	JCPT1212HD-310022	Safety arm bushing	4	
26	JCPT1212HD-311100	Inner arm 1	1	JCPT1412HD/DC
	JCPT1612DC-321100	Inner arm 1	1	JCPT1612HD/DC
27	GB/T 70.1-2000	Screw M4×12	2	
28	GB/T 97.1-2002	Washer 4	2	
29	GB/T 93-1987	Spring washer 4	2	
30	6905-0200011-01	Sensor	1	
31	JCPT0807-110022L	Sensor cover	1	
32	JCPT1212HD-312100	Outer arm 1	1	JCPT1412HD/DC
	JCPT1612DC-322100	Outer arm 1	1	JCPT1612HD/DC
33	JCPT1212HD-520300	Hydraulic hoses manifolds	1	
34	GB/T 70.3-2000	Screw M6×25	2	
35	JCPT1212HD-310008	Pin	2	
36	JCPT1212HD-310060	Pot hole pusher	2	
37	GB/T 5783-2000	Bolt M10×40	7	
38	JCPT1212HD-310011	Long cylinder axle	1	
39	GB/T 5783-2000	Bolt M10×50	1	
40	JCPT1212HD-531000	Lower lift cylinder (Refer to 4-1)	1	JCPT1412HD/DC
	JCPT1612HD-531000	Lower lift cylinder (Refer to 4-1)	1	JCPT1612HD/DC
41	JCPT1212HD-532000	Upper lift cylinder (Refer to 4-2)	1	JCPT1412HD/DC
	JCPT1612HD-532000	Upper lift cylinder (Refer to 4-2)	1	JCPT1612HD/DC
42	JCPT1212HD-310038	Block	40	
43	GB/T 70.3-2000	Screw M5×16	7	
44	JCPT1212HD-310015	Uncork washer	7	
45	JCPT1212HD-310012	Spacer sleeve	8	

Figure 2-5 Scissor Assembly (JCPT1412HD/DC~JCPT1612HD/DC)

Item	Part Number	Description	Qty.	Remark
46	JCPT1212HD-310036	Through line Bridge 2	2	JCPT1412HD/DC
	JCPT1612DC-310036	Through line Bridge 2	2	JCPT1612HD/DC

Platform

Section 3

Figure 3-1 Platform and Scissor Installations

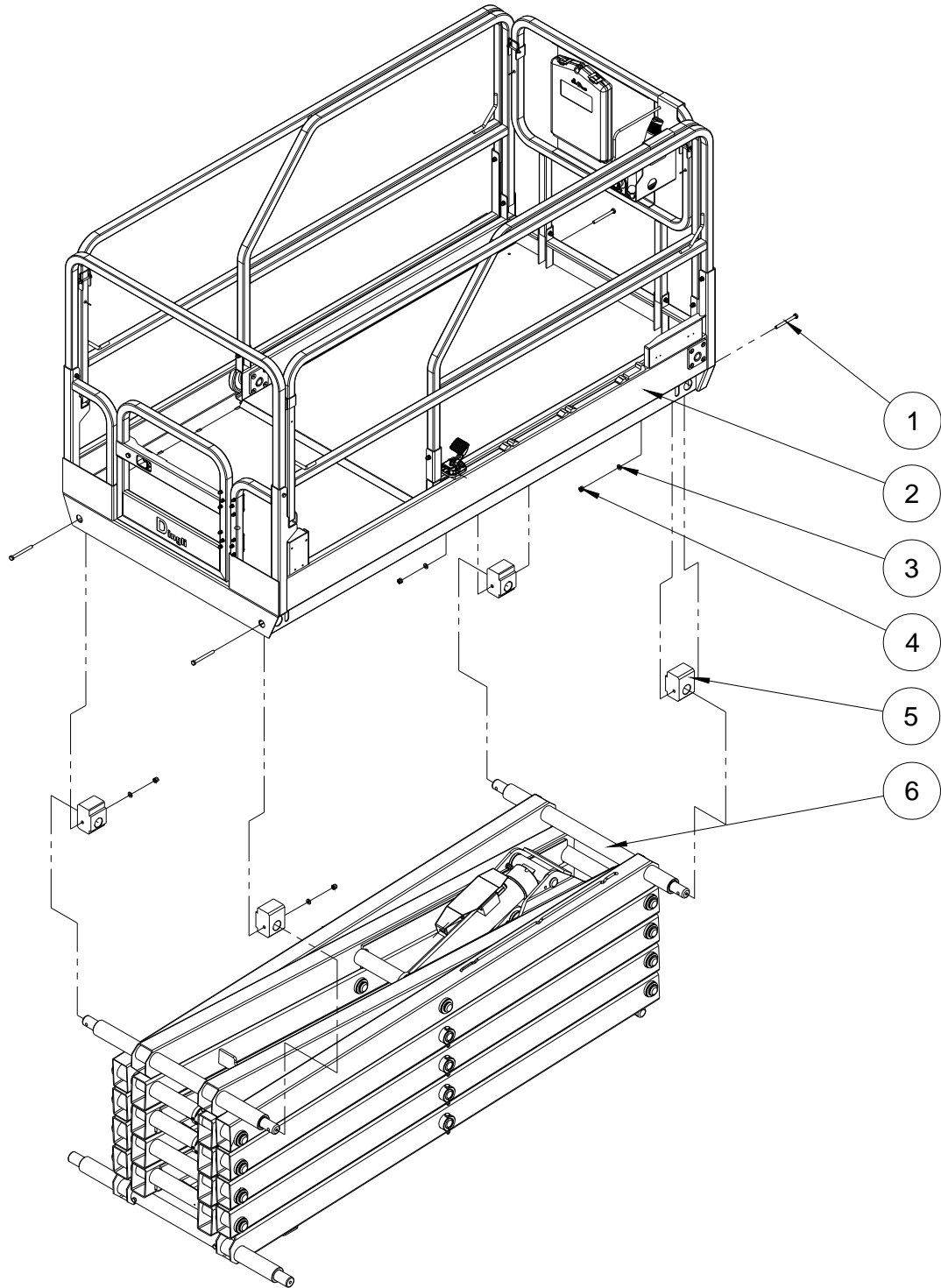
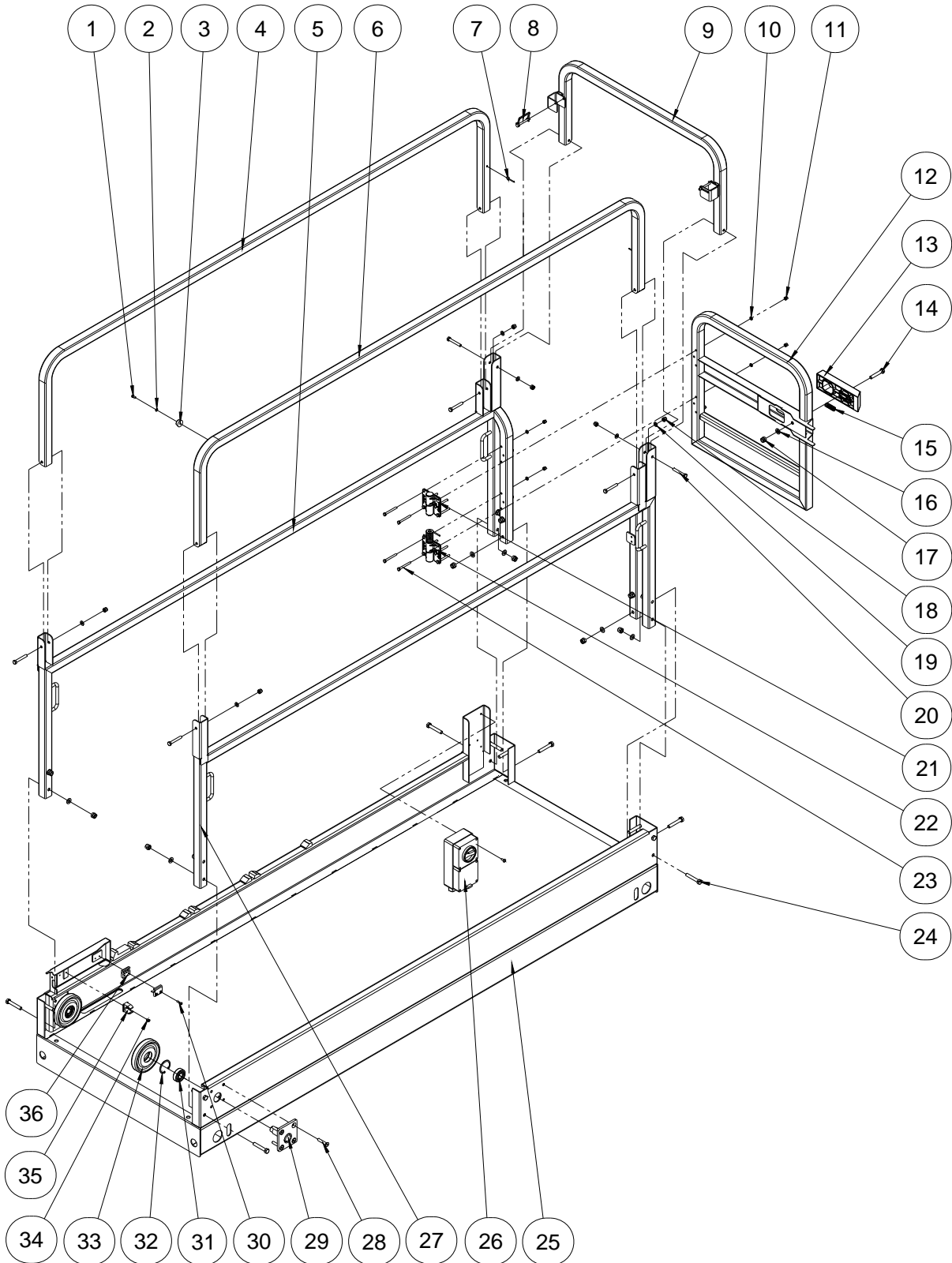


Figure 3-1 Platform and Scissor Installations

Item	Part Number	Description	Qty.	Remark
1	GB/T 5780-2000	Bolt M10×100	4	
2	JCPT0808HD-141000	Platform assembly (Refer to 3-2 and 3-3)	1	JCPT0808HD/DC JCPT1008HD/DC
	JCPT1212HD-402000	Platform assembly (Refer to 3-4 and 3-5)	1	JCPT1012HD/DC JCPT1212HD/DC JCPT1412HD/DC
	JCPT1612DC-420000	Platform assembly (Refer to 3-4 and 3-5)	1	JCPT1612HD/DC
3	GB/T 97.1-2002	Washer 10	4	
4	GB/T 6182-2000	Nut M10	4	
5	JCPT1212HD-41004	Slider	4	
6	JCPT0808HD-310000	Scissor assembly (Refer to 2-2)	1	JCPT0808HD/DC
	JCPT1008HD-310000	Scissor assembly (Refer to 2-3)	1	JCPT1008HD/DC
	JCPT1012HD-310000	Scissor assembly (Refer to 2-3)	1	JCPT1012HD/DC
	JCPT1212HD-310000	Scissor assembly (Refer to 2-4)	1	JCPT1212HD/DC
	JCPT1412DC-310000	Scissor assembly (Refer to 2-5)	1	JCPT1412HD/DC
	JCPT1612DC-320000	Scissor assembly (Refer to 2-5)	1	JCPT1612HD/DC

**Figure 3-2 Main Platform Assembly (JCPT0808HD/DC~
JCPT1008HD/DC)**



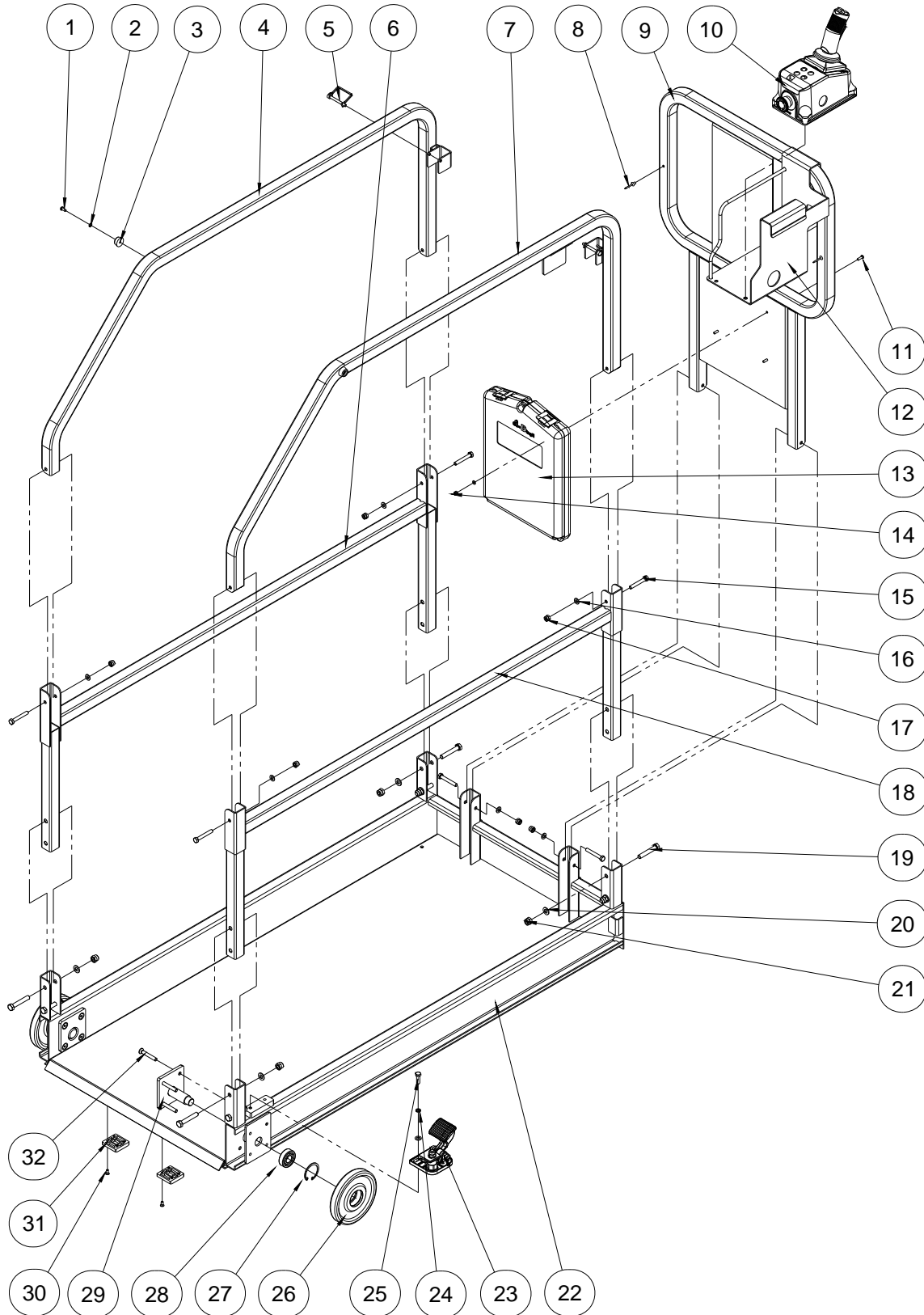
**Figure 3-2 Main Platform Assembly (JCPT0808HD/DC~
JCPT1008HD/DC)**

Item	Part Number	Description	Qty.	Remark
1	GB/T 973-1976	Screw M5×12	5	
2	GB/T 97.1-2002	Washer 5	1	
3	JCPT1212HD-402001	Rubber gasket	1	
4	JCPT0808HD-141410	Upper fixed guardrail	1	
5	JCPT0808HD-141420	Lower fixed guardrail	1	
6	JCPT0808HD-141810	Upper fixed guardrail	1	
7	GB/T 12615-1990	Rivet 4.8×16	2	
8	JCPT1212HD-41001	Inserted pin 6×45	2	
9	JCPT0808HD-141700	Block duct	1	
10	GB/T 6182-2000	Nut M6	12	
11	GB/T 97.1-2002	Washer 6	12	
12	JCPT0808HD-141610	Door	1	
13	JCPT1212HD-41601	Doorknob	1	
14	GB/T 5782-2000	Bolt M10×55	1	
15	JCPT1212HD-141602	Spring	1	
16	GB/T 97.1-2002	Washer 10	13	
17	GB/T 6182-2000	Nut M10	13	
18	GB/T 6182-2000	Nut M8	6	
19	GB/T 97.1-2002	Washer 8	6	
20	GB/T 5782-2000	Bolt M8×55	6	
21	JCPT0808HD-141630	Hinge A	1	
22	GB/T 5782-2000	Bolt M6×55	12	
23	JCPT0808HD-141640	Hinge B	1	
24	GB/T5782-2000	Bolt M10×60	12	
25	JCPT0808HD-141100	Platform deck assembly	1	
26	6999-0120003-01	Output socket	1	Option
27	JCPT0808HD-141820	Lower fixed guardrail	1	
28	GB/T 70.3-2000	Screw M8×45	8	

**Figure 3-2 Main Platform Assembly (JCPT0808HD/DC~
JCPT1008HD/DC)**

Item	Part Number	Description	Qty.	Remark
29	JCPT1212HD-41030	Roller bracket	2	
30	GB/T 70.1-2000	Screw M4×16	2	
31	GB/T 276-1994	Bearing 6204	2	
32	GB 893.1-86	Circlips for holes 47	2	
33	JCPT1212HD-41018	Roller	2	
34	GB/T 70.1-2000	Screw M4×10	1	
35	6912-0300024-01	Clip 24	1	
36	GTWY8-320019	Wire clip	2	

**Figure 3-3 Platform Extension Assembly (JCPT0808HD/DC~
JCPT1008HD/DC)**



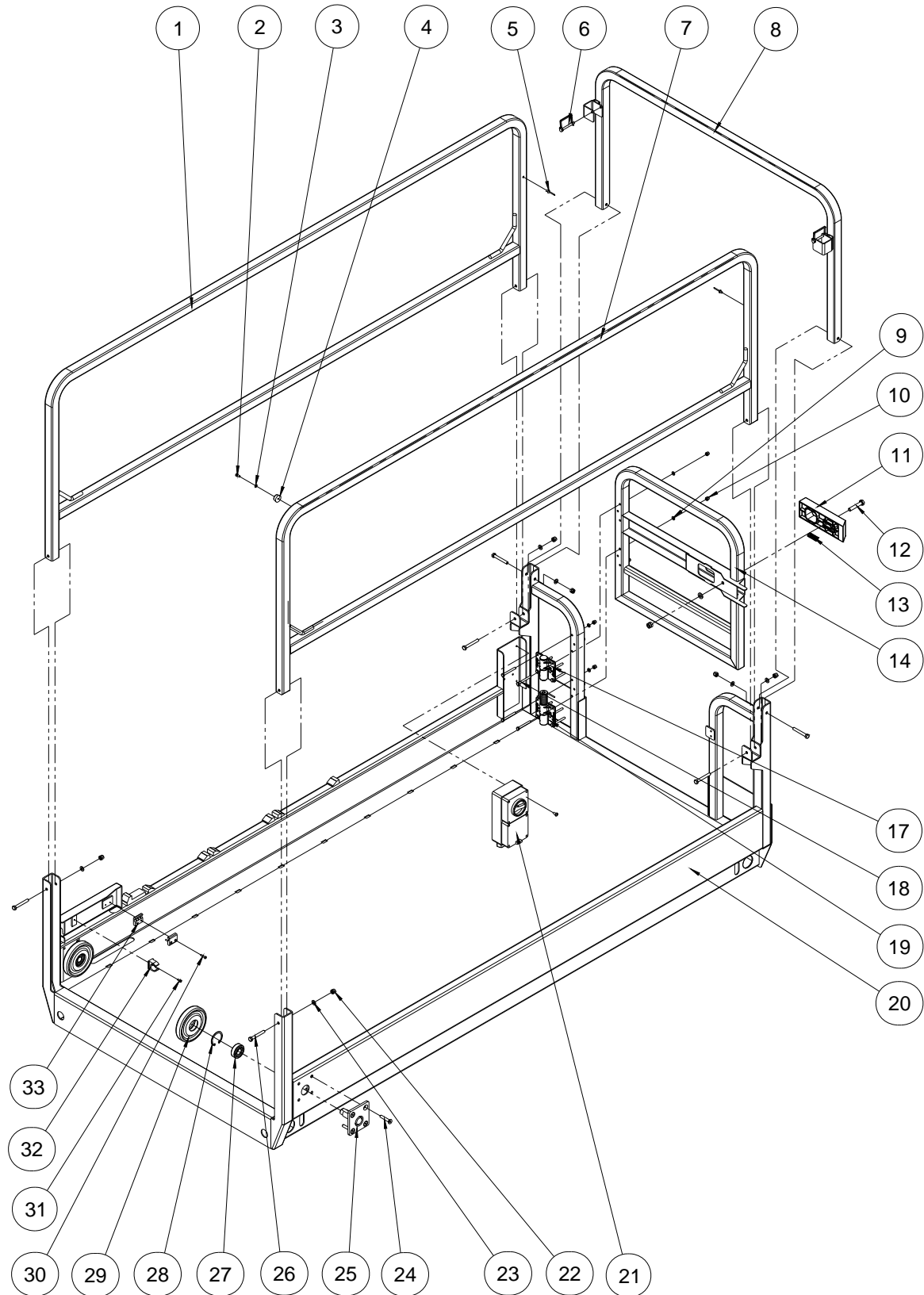
**Figure 3-3 Platform Extension Assembly (JCPT0808HD/DC~
JCPT1008HD/DC)**

Item	Part Number	Description	Qty.	Remark
1	GB/T 973-1976	Screw M5×12	2	
2	GB/T 97.1-2002	Washer 5	6	
3	JCPT1212HD-402001	Rubber gasket	2	
4	JCPT0808HD-141350	Left moving rail	1	
5	JCPT1212HD-41001	Inserted pin 6×45	2	
6	JCPT0808HD-141330	Left lower rail	1	
7	JCPT0808HD-141320	Right moving rail	1	
8	GB/T 12615-1990	Rivet 4.8×16	2	
9	JCPT0808HD-141340	Front rail	1	
10	JCPT1212HD-720100	Platform control box (Refer to 3-7)	1	
11	GB/T 973-1976	Screw M5×16	4	
12	JCPT1212HD-41019	Platform control box mount bracket	1	
13	GTBZ16A-43500	Handbook box	1	
14	GB/T 6182-2000	Nut M5	4	
15	GB/T 5782-2000	Bolt M8×55	6	
16	GB/T 97.1-2002	Washer 8	8	
17	GB/T 6182-2000	Nut M8	6	
18	JCPT0808HD-141310	Right lower rail	1	
19	GB/T 5782-2000	Bolt M10×60	8	
20	GB/T 97.1-2002	Washer 10	8	
21	GB/T 6182-2000	Nut M10	8	
22	JCPT0808HD-141200	Platform extension deck assembly	1	
23	JCPT1212HD-41900	Locking device (Refer to 3-6)	1	
24	GB/T 93-1987	Spring washer 8	2	
25	GB/T 5781-2000	Bolt M8×25	2	
26	JCPT1212HD-41017	Roller 2	2	
27	GB 893.1-86	Circlips for holes 47	2	
28	GB/T 276-1994	Bearing 6204	2	

**Figure 3-3 Platform Extension Assembly (JCPT0808HD/DC~
JCPT1008HD/DC)**

Item	Part Number	Description	Qty.	Remark
29	JCPT1212HD-41030	Roller bracket	2	
30	GB/T 70.3-2000	Screw M5×16	8	
31	JCPT1212HD-41206	Slippage of crutch	2	
32	GB/T 70.3-2000	Screw M8×55	8	

**Figure 3-4 Main Platform Assembly (JCPT1012HD/DC~
JCPT1612HD/DC)**



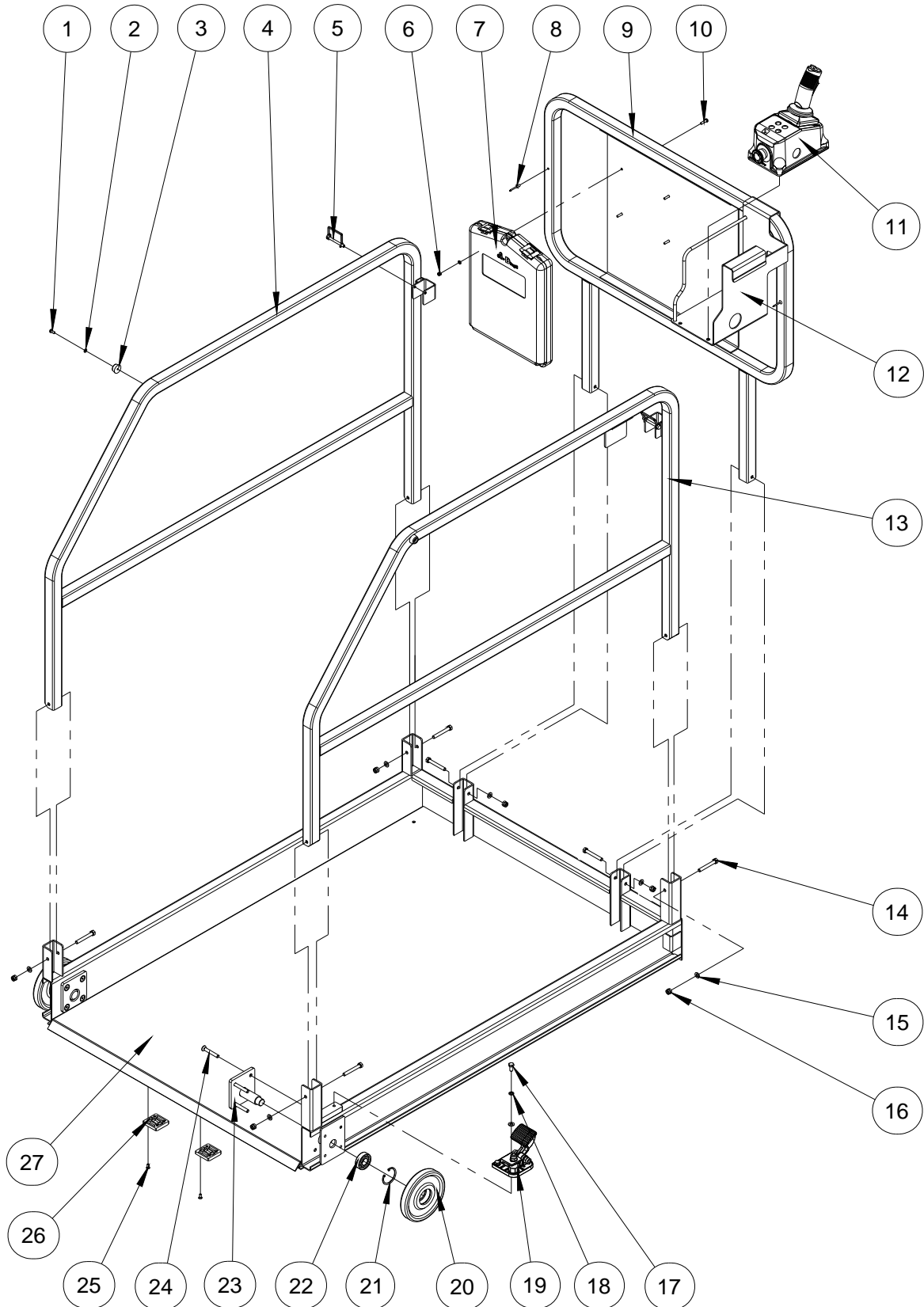
**Figure 3-4 Main Platform Assembly (JCPT1012HD/DC~
JCPT1612HD/DC)**

Item	Part Number	Description	Qty.	Remark
1	JCPT1212HD-402800	Right fixed guardrail	1	JCPT1012HD/DC JCPT1212HD/DC JCPT1412HD/DC
	JCPT1612DC-428000	Right fixed guardrail	1	JCPT1612HD/DC
2	GB/T 973-1976	Screw M5x12-H	5	
3	GB/T 97.1-2002	Washer 5	1	
4	JCPT1212HD-402001	Rubber gasket	1	
5	GB/T 12615-1990	Rivet 4.8x16	2	
6	JCPT1212HD-41001	Inserted pin 6x45	2	
7	JCPT1212HD-141400	Left fixed guardrail	1	JCPT1012HD/DC JCPT1212HD/DC JCPT1412HD/DC
	JCPT1612DC-424000	Left fixed guardrail	1	JCPT1612HD/DC
8	JCPT1212HD-141700	Block duct	1	
9	GB/T 6182-2000	Nut M6	12	
10	GB/T 97.1-2002	Washer 6	12	
11	JCPT1212HD-41601	Doorknob	1	
12	GB/T5782-2000	Bolt M10x55	1	
13	JCPT1212HD-141602	Spring	1	
14	JCPT1212HD-141610	Door	1	
15	GB/T 97.1-2002	Washer 10	1	
16	GB/T 6182-2000	Nut M10	1	
17	JCPT0808HD-141630	Hinge A	1	
18	GB/T 5782-2000	Bolt M6x55	12	
19	JCPT0808HD-141640	Hinge B	1	
20	JCPT1212HD-412100	Platform deck assembly	1	JCPT1012HD/DC JCPT1212HD/DC JCPT1412HD/DC
	JCPT1612DC-412100	Platform deck assembly	1	JCPT1612HD/DC
21	6999-0120003-01	Socket	1	
22	GB/T 6182-2000	Nut M8	6	

**Figure 3-4 Main Platform Assembly (JCPT1012HD/DC~
JCPT1612HD/DC)**

Item	Part Number	Description	Qty.	Remark
23	GB/T 97.1-2002	Washer 8	6	
24	GB/T 70.3-2000	Screw M8x45	8	
25	JCPT1212HD-41030	Roller bracket	2	
26	GB/T 5782-2000	Bolt M8x60	6	
27	GB/T 276-1994	Bearing 6204	2	
28	GB 893.1-86	Circlips for holes 47	2	
29	JCPT1212HD-41018	Roller	2	
30	GB/T 70.1-2000	Screw M4x16	2	
31	GB/T 70.1-2000	Screw M4x10	1	
32	6912-0300024-01	Clip 24	1	
33	GTWY8-320019	Wire clip	2	

**Figure 3-5 Platform Extension Assembly (JCPT1012HD/DC~
JCPT1612HD/DC)**



**Figure 3-5 Platform Extension Assembly (JCPT1012HD/DC~
JCPT1612HD/DC)**

Item	Part Number	Description	Qty.	Remark
1	GB/T 973-1976	Screw M5×12	2	
2	GB/T 97.1-2002	Washer 5	6	
3	JCPT1212HD-402001	Rubber gasket	2	
4	JCPT1212HD-141310	Left moving rail	1	
5	JCPT1212HD-41001	Inserted pin 6×45	2	
6	GB/T 6182-2000	Nut M5	4	
7	GTBZ16A-43500	Handbook box	1	
8	GB/T 12615-1990	Rivet 4.8×16	2	
9	JCPT1212HD-141320	Front rail	1	
10	GB/T 973-1976	Screw M5×12	4	
11	JCPT1212HD-720100	Platform control box (Refer to 3-7)	1	
12	JCPT1212HD-41019	Platform control box mount bracket	1	
13	JCPT1212HD-141330	Right moving rail	1	
14	GB/T 5782-2000	Bolt M8×60	6	
15	GB/T 97.1-2002	Washer 8	8	
16	GB/T 6182-2000	Nut M8	6	
17	GB/T 5783-2000	Bolt M8×25	2	
18	GB/T 93-1987	Spring washer 8	2	
19	JCPT1212HD-41900	Locking device (Refer to 3-6)	1	
20	JCPT1212HD-41017	Roller 2	2	
21	GB 893.1-86	Circlips for holes 47	2	
22	GB/T 276-1994	Bearing 6204	2	
23	JCPT1212HD-41030	Roller bracket	2	
24	GB/T 70.3-2000	Screw M8×55	8	
25	GB/T 70.3-2000	Screw M5×16	8	
26	JCPT1212HD-41206	Slippage of Crutch	2	
27	JCPT1212HD-141200	Platform extension deck assembly	1	

Figure 3-6 Platform Locking Device

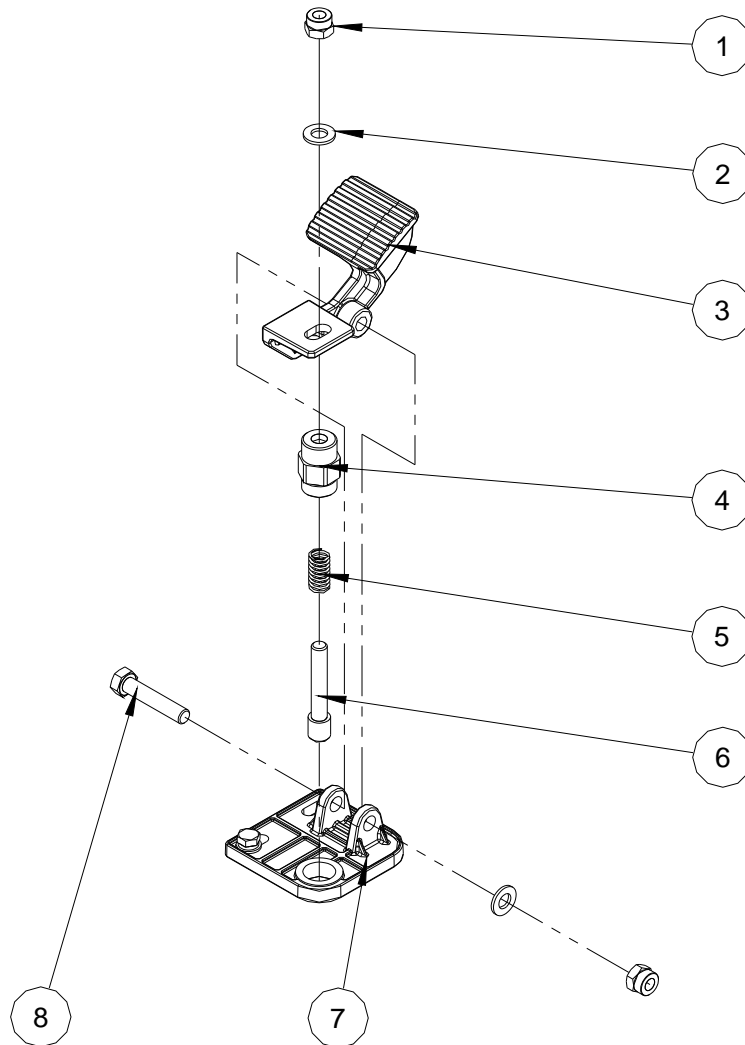


Figure 3-6 Platform Locking Device

Item	Part Number	Description	Qty.	Remark
1	GB/T 6182-2000	Nut M10	2	
2	GB/T 97.1-2002	Washer 10	2	
3	JCPT1212HD-41910	Footpedal	1	
4	JCPT1212HD-41922	Lock pin housing	1	
5	JCPT1212HD-41921	Spring	1	
6	JCPT1212HD-41923	Lock pin	1	
7	JCPT1212HD-41930	Bracket	1	
8	GB/T 5782-2000	Bolt M10x50	1	

Figure 3-7 Platform Control Box

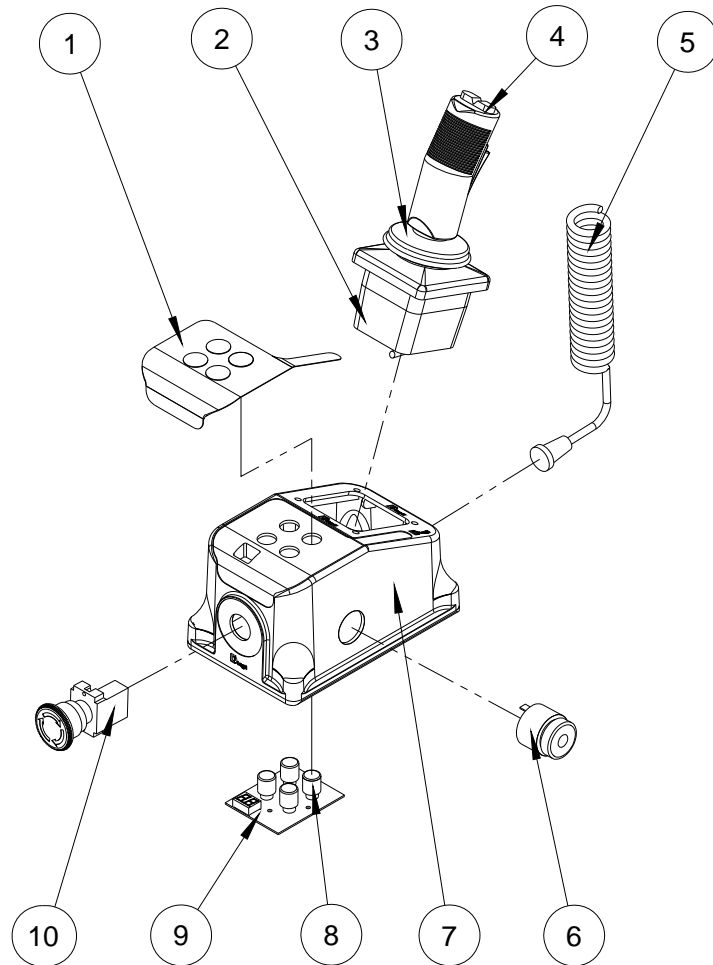


Figure 3-7 Platform Control Box

Item	Part Number	Description	Qty.	Remark
1	9114025	Decal	1	
2	JCPT1212HD-720110	Joystick	1	
3	JCPT1212HD-720101	Dustproof cover	1	
4	JCPT1212HD-720120	Switch boot	1	
5	JCPT1212HD-720130	Coil cord	1	
6	JCPT1212HD-720102	Alarm	1	
7	JCPT1212HD-720140	Enclosure	1	
8	JCPT1212HD-720103	Button	4	
9	JCPT1212HD-720150	PC board	1	
10	JCPT1212HD-720160	Emergency stop switch	1	

Hydraulic System

Section 4

Figure 4-1 Lower Lift Cylinder Assembly

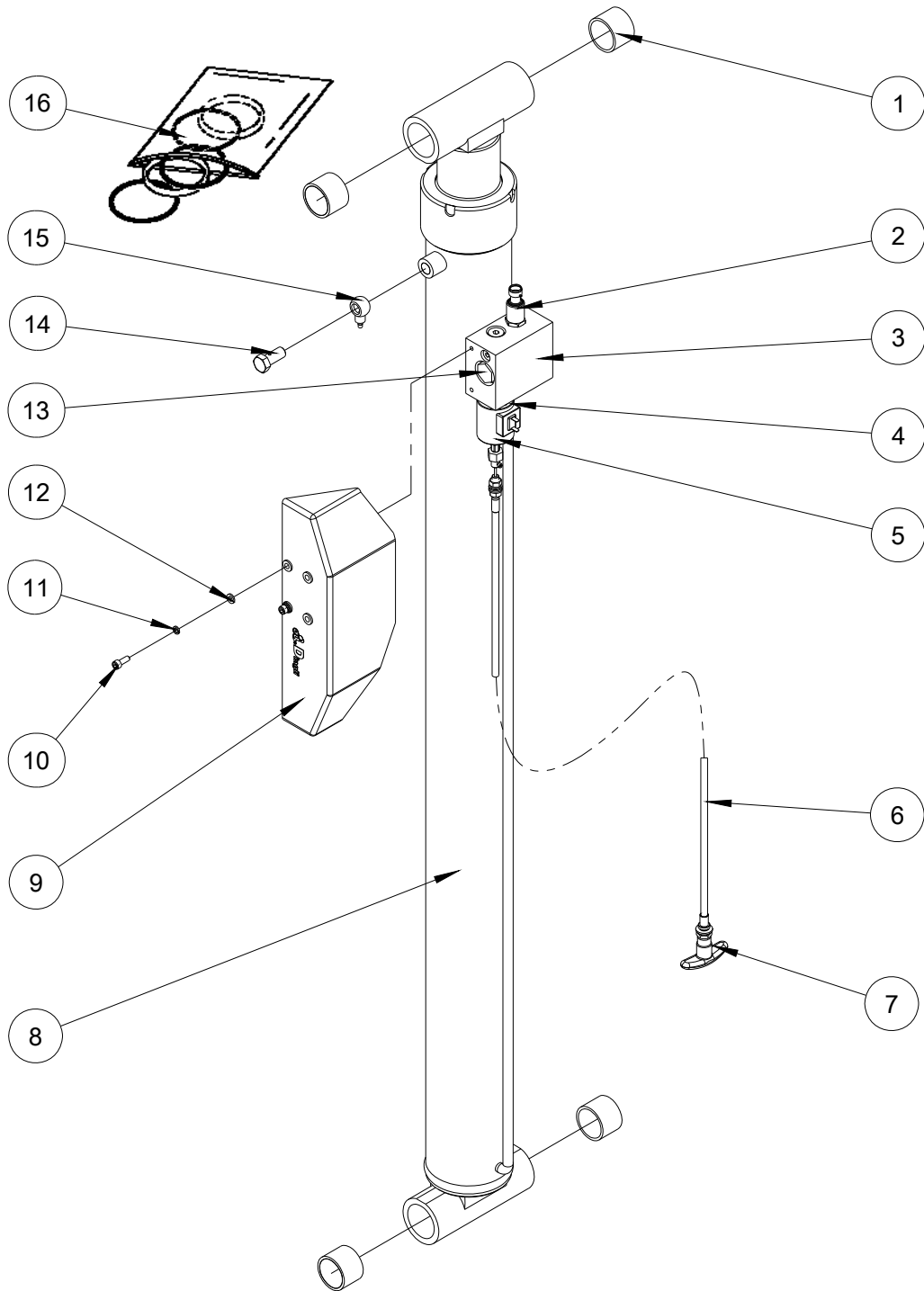


Figure 4-1 Lower Lift Cylinder Assembly

Item	Part Number	Description	Qty.	Remark
1	SF-3236-30	Bearing	4	
2	HP330-250BG-4V	Pressure sensor	1	
3	NBCY-100/B-11	Valve manifolds	1	
4	SV38-20J	Lowering valve	1	
5	63510201613	Coil	1	
6	3.4m	Emergency down cable assembly	1	
7	5X70	Lowering knob	1	
8	JCPT1212HD-503100	Lower lift cylinder	1	JCPT0808HD/DC JCPT1008HD/DC JCPT1012HD/DC JCPT1212HD/DC JCPT1412HD/DC
	JCPT1612HD-532000	Lower lift cylinder	1	JCPT1612HD/DC
9	JCPT1212HD-530112	Cover	1	
10	GB/T 97.1-2002	Washer 6	2	
11	GB/T 93-1987	Spring washer 6	2	
12	GB/T 70.1-2000	Screw M6x16	2	
13	CV08-20-0-N-4	Throttle Valve	1	
14	TYGJT-401	Pipeline bolt	1	
15	TYGJT-402	Piecing devices	1	
16	JCPT1212HD-503100-1	Seal kit	1	JCPT0808HD/DC JCPT1008HD/DC JCPT1012HD/DC JCPT1212HD/DC JCPT1412HD/DC
	JCPT1612HD-532000-1	Seal kit	1	JCPT1612HD/DC

Figure 4-2 Upper Lift Cylinder (JCPT1212HD/DC~JCPT1612HD/DC)

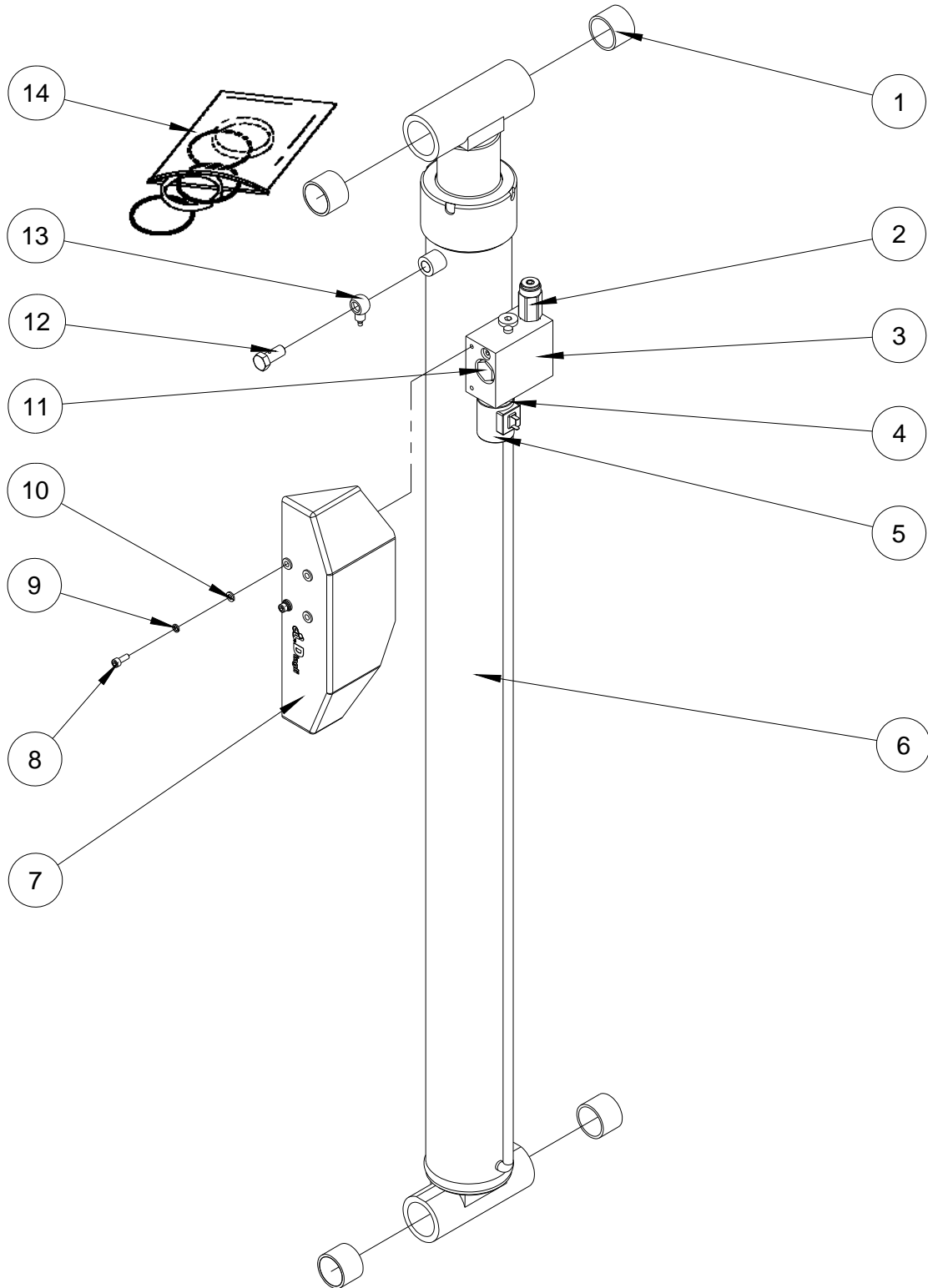


Figure 4-2 Upper Lift Cylinder (JCPT1212HD/DC~JCPT1612HD/DC)

Item	Part Number	Description	Qty.	Remark
1	SF-3236-30	Bearing	4	
2	RV08-22H-0-N-35/M180	Pressure Valve	1	
3	NBCY-110/C-11	Valve Manifolds	1	
4	SV38-20J	Lowering Valve	1	
5	63510201613	Coil	1	
6	JCPT1212HD-503100	Upper lift cylinder	1	JCPT1212HD/DC JCPT1412HD/DC
	JCPT1612HD-531000	Upper lift cylinder	1	JCPT1612HD/DC
7	JCPT1212HD-530112	Cover	1	
8	GB/T 70.1-2000	Screw M6x16	2	
9	GB/T 93-1987	Spring washer 6	2	
10	GB/T 97.1-2002	Washer 6	2	
11	CV08-20-0-N-4	Throttle Valve	1	
12	TYGJT-401	Pipeline bolt	1	
13	TYGJT-402	Piecing devices	1	
14	JCPT1212HD-503100-1	Seal kit	1	JCPT1212HD/DC JCPT1412HD/DC
	JCPT1612HD-531000-1	Seal kit	1	JCPT1612HD/DC

Figure 4-3 Hydraulic Hoses and Fittings (JCPT0808HD~JCPT1012HD)

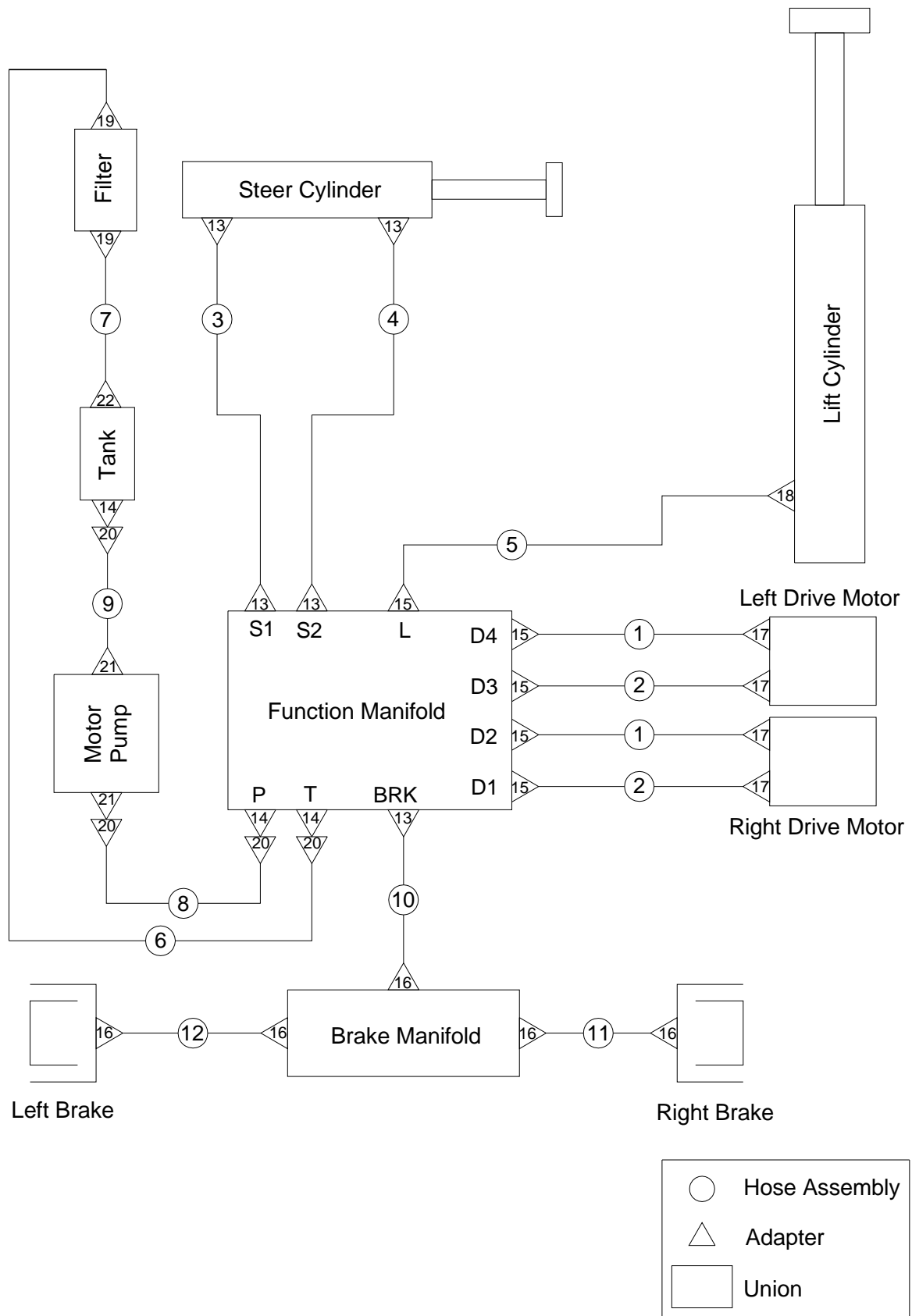


Figure 4-3 Hydraulic Hoses and Fittings (JCPT0808HD~JCPT1012HD)

Item	Part Number	Description	Qty.	Remark
1	1SN08-M21513-05-16/M 21543-05-16-1370	Drive motors hose assembly	2	JCPT0808HD JCPT1008HD
	1SN08-M21513-05-16/M 21543-05-16-1650	Drive motors hose assembly	2	JCPT1012HD
2	1SN08-M21513-05-16/M 21543-05-16-1400	Drive motors hose assembly	2	JCPT0808HD JCPT1008HD
	1SN08-M21513-05-16/M 21543-05-16-1620	Drive motors hose assembly	2	JCPT1012HD
3	1SN06-M21513-04-14/M 21593-04-14-1170	Steer hose assembly	1	JCPT0808HD JCPT1008HD
	1SN06-M21513-04-14/M 21593-04-14-1320	Steer hose assembly	1	JCPT1012HD
4	1SN06-M21513-04-14/M 21593-04-14-1200	Steer hose assembly	1	JCPT0808HD JCPT1008HD
	1SN06-M21513-04-14/M 21593-04-14-1350	Steer hose assembly	1	JCPT1012HD
5	1SN08-M21513-05-16/M 21513-05-16-4500	Lift cylinder hose assembly	1	
6	1SN12-M21513-08-22/M 21543-08-22-380	Manifold to filter hose assembly	1	
7	1SN12-M21513-08-22/M 21543-08-22-340	Tank return hose assembly	1	JCPT0808HD JCPT1008HD
	1SN12-M21513-08-22/M 21543-08-22-380	Tank return hose assembly	1	JCPT1012HD
8	2SN12-M21513-08-22/M 21543-08-22-530	Pressue hose assembly	1	
9	1SN12-M21513-08-22/M 21593-08-22-320	Draw hose assembly	1	
10	1SN06-M21513-04-14/M 21593-04-14-2320	Brake hose assembly	1	JCPT0808HD JCPT1008HD
	1SN06-M21513-04-14/M 21593-04-14-2250	Brake hose assembly	1	JCPT1012HD
11	1SN06-M21513-04-14/M 21513-04-14-360	Brake manifold hose assembly	1	JCPT0808HD JCPT1008HD
	1SN06-M21513-04-14/M 21593-04-14-410	Brake manifold hose assembly	1	JCPT1012HD
12	1SN06-M21513-04-14/M 21593-04-14-420	Brake manifold hose assembly	1	JCPT0808HD JCPT1008HD

Figure 4-3 Hydraulic Hoses and Fittings (JCPT0808HD~JCPT1012HD)

Item	Part Number	Description	Qty.	Remark
12	1SN06-M21513-04-14/M 21593-04-14-590	Brake manifold hose assembly	1	JCPT1012HD
13	GE08LM14×1.5EDA3C	Straight fitting	5	
14	GE15LMEDA3C	Straight fitting	3	
15	GE10LM16×1.5EDA3C	Straight fitting	5	
16	GE08L7/16UNFA3C	Straight fitting	5	
17	GE10L9/16UNFA3C	Straight fitting	4	
18	GE10LM18×1.5EDA3C	Straight fitting	1	
19	GE15LR3/4EDA3C	Straight fitting	2	
20	EW15L	Elbow	4	
21	GE15L7/8UNFA3C	Straight fitting	2	
22	WSV15LA3C	Fitting M22×1.5	1	

Figure 4-4 Hydraulic Hoses and Fittings (JCPT0808DC~JCPT1012DC)

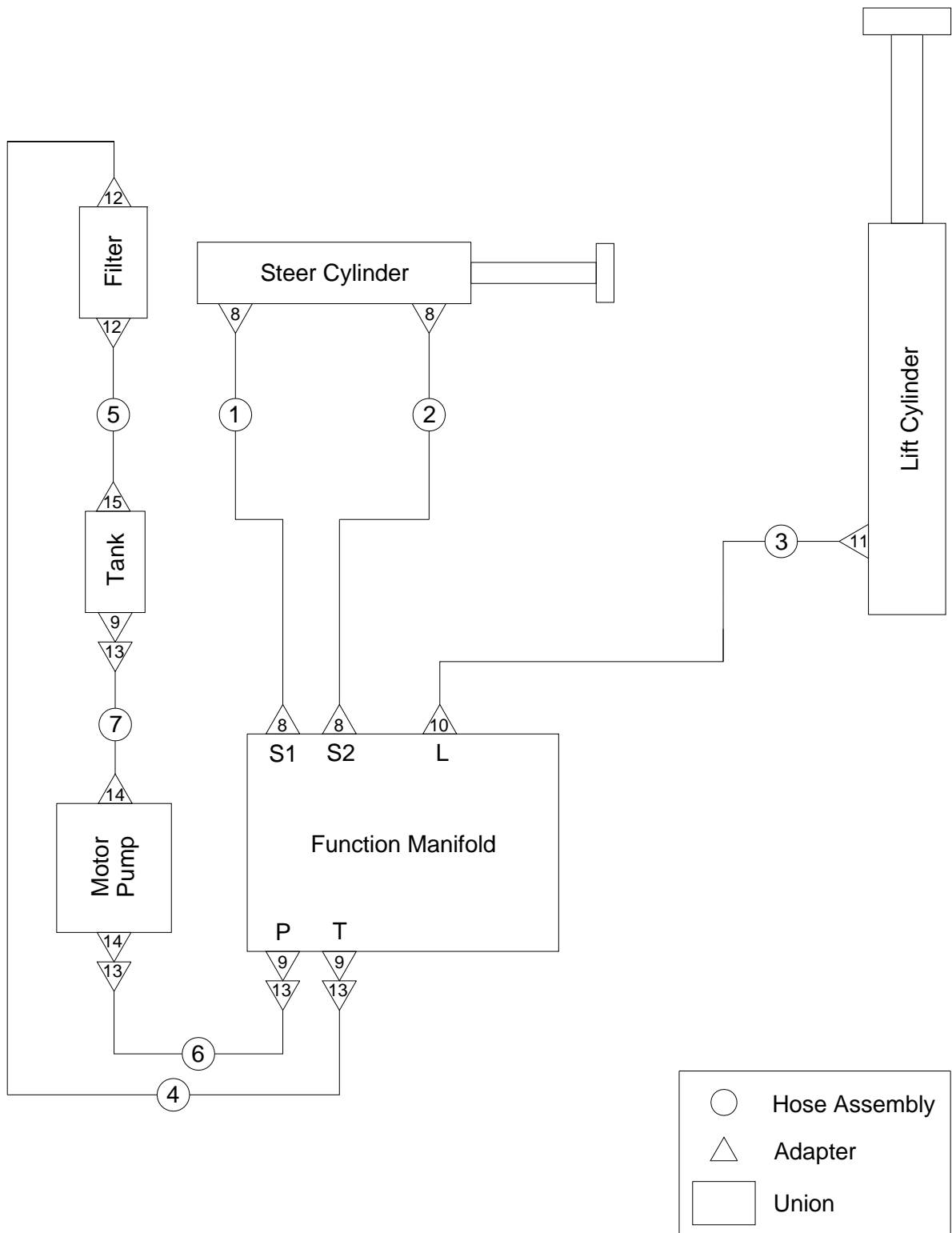


Figure 4-4 Hydraulic Hoses and Fittings (JCPT0808DC~JCPT1012DC)

Item	Part Number	Description	Qty.	Remark
1	1SN06-M21513-04-14/M 21593-04-14-1170	Steer hose assembly	1	JCPT0808DC JCPT1008DC
	1SN06-M21513-04-14/M 21593-04-14-1320	Steer hose assembly	1	JCPT1012DC
2	1SN06-M21513-04-14/M 21593-04-14-1200	Steer hose assembly	1	JCPT0808DC JCPT1008DC
	1SN06-M21513-04-14/M 21593-04-14-1350	Steer hose assembly	1	JCPT1012DC
3	1SN08-M21513-05-16/M 21513-05-16-4500	Lift cylinder hose assembly	1	
4	1SN12-M21513-08-22/M 21543-08-22-580	Manifold to filter hose assembly	1	
5	1SN12-M21513-08-22/M 21543-08-22-380	Tank return hose assembly	1	
6	2SN12-M21513-08-22/M 21543-08-22-530	Pressue hose assembly	1	
7	1SN12-M21513-08-22/M 21593-08-22-320	Draw hose assembly	1	
8	GE08LM14x1.5EDA3C	Straight fitting	4	
9	GE15LMEDA3C	Straight fitting	3	
10	GE10LM16x1.5EDA3C	Straight fitting	1	
11	GE10LM18x1.5EDA3C	Straight fitting	1	
12	GE15LR3/4EDA3C	Straight fitting	2	
13	EW15L	Elbow	4	
14	GE15L7/8UNFA3C	Straight fitting	2	
15	WSV15LA3C	Fitting M22x1.5	1	

Figure 4-5 Hydraulic Hoses and Fittings (JCPT1212HD~JCPT1412HD)

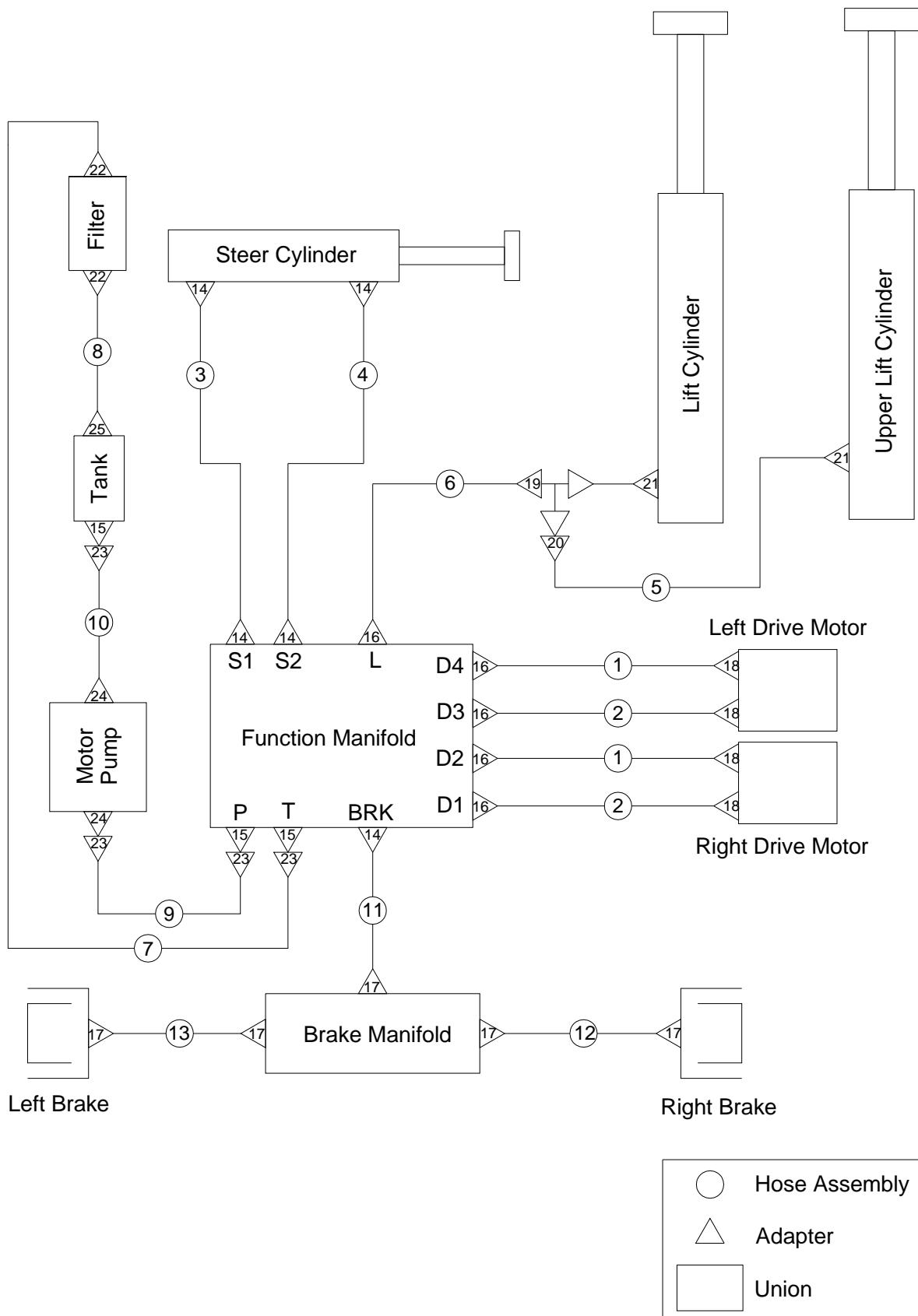


Figure 4-5 Hydraulic Hoses and Fittings (JCPT1212HD~JCPT1412HD)

Item	Part Number	Description	Qty.	Remark
1	1SN08-M21513-05-16/M 21543-05-16-1650	Drive motors hose assembly	2	
2	1SN08-M21513-05-16/M 21543-05-16-1680	Drive motors hose assembly	2	
3	1SN06-M21513-04-14/M 21593-04-14-1320	Steer hose assembly	1	
4	1SN06-M21513-04-14/M 21593-04-14-1350	Steer hose assembly	1	
5	1SN08-M21513-05-16/M 21513-05-16-8600	Upper lift cylinder hose assembly	1	
6	1SN08-M21513-05-16/M 21513-05-16-4500	Lift cylinder hose assembly	1	
7	1SN12-M21513-08-22/M 21543-08-22-380	Manifold to filter hose assembly	1	
8	1SN12-M21513-08-22/M 21543-08-22-340	Tank return hose assembly	1	
9	2SN12-M21513-08-22/M 21543-08-22-530	Pressue hose assembly	1	
10	1SN12-M21513-08-22/M 21593-08-22-320	Draw hose assembly	1	
11	1SN06-M21513-04-14/M 21593-04-14-2250	Brake hose assembly	1	
12	1SN06-M21513-04-14/M 21593-04-14-410	Brake manifold hose assembly	1	
13	1SN06-M21513-04-14/M 21593-04-14-590	Brake manifold hose assembly	1	
14	GE08LM14x1.5EDA3C	Straight fitting	5	
15	GE15LMEDA3C	Straight fitting	3	
16	GE10LM16x1.5EDA3C	Straight fitting	5	
17	GE08L7/16UNFA3C	Straight fitting	5	
18	GE10L9/16UNFA3C	Straight fitting	4	
19	EL10L	Tee fitting	1	
20	EW10L	Elbow	1	
21	GE10LM18x1.5EDA3C	Straight fitting	2	
22	GE15LR3/4EDA3C	Straight fitting	2	
23	EW15L	Elbow	4	

Figure 4-5 Hydraulic Hoses and Fittings (JCPT1212HD~JCPT1412HD)

Item	Part Number	Description	Qty.	Remark
24	GE15L7/8UNFA3C	Straight fitting	2	
25	WSV15LA3C	Fitting M22x1.5	1	

Figure 4-6 Hydraulic Hoses and Fittings (JCPT1212DC~JCPT1412DC)

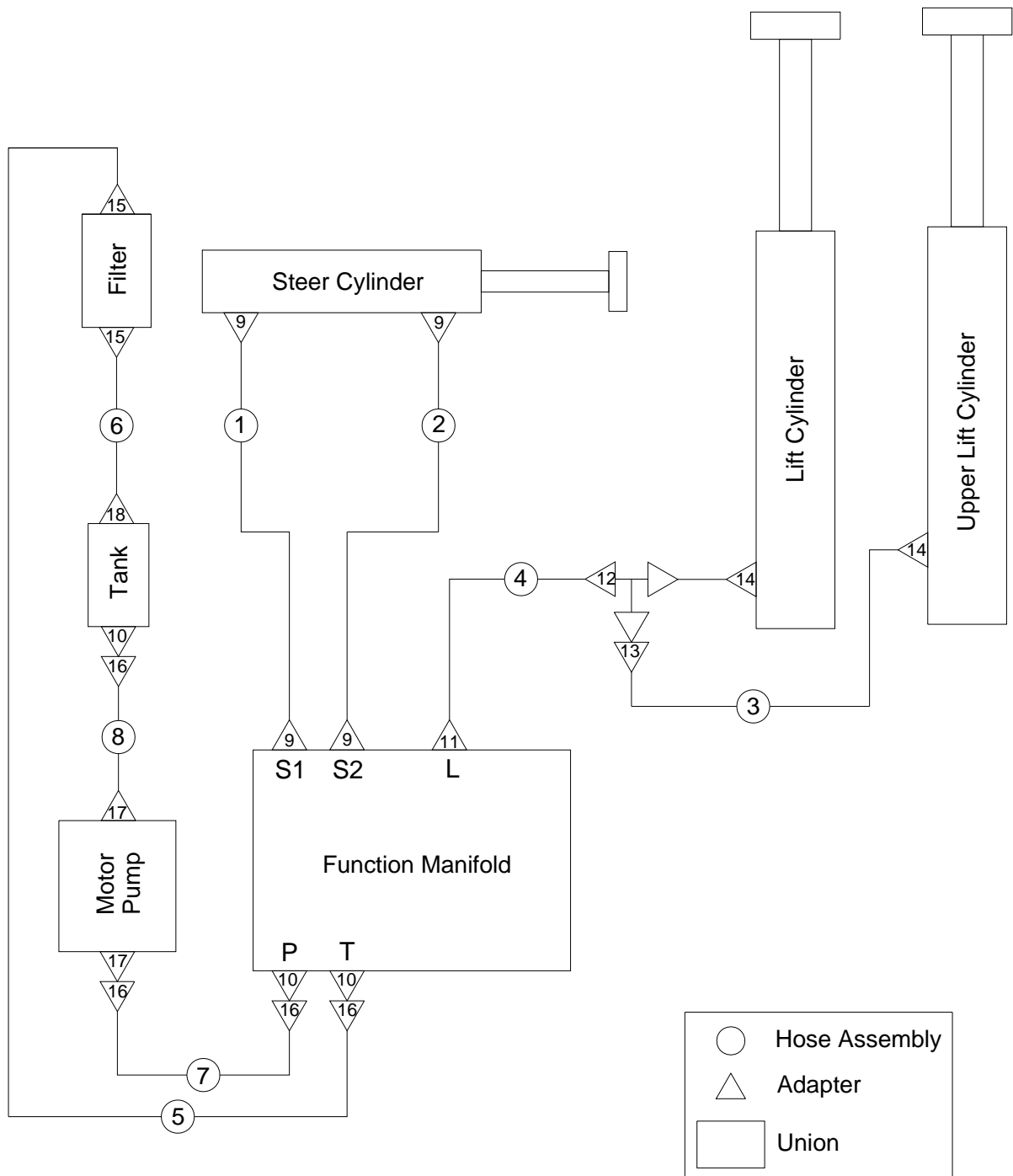


Figure 4-6 Hydraulic Hoses and Fittings (JCPT1212DC~JCPT1412DC)

Item	Part Number	Description	Qty.	Remark
1	1SN06-M21513-04-14/M 21593-04-14-1320	Steer hose assembly	1	
2	1SN06-M21513-04-14/M 21593-04-14-1350	Steer hose assembly	1	
3	1SN08-M21513-05-16/M 21513-05-16-8600	Upper lift cylinder hose assembly	1	
4	1SN08-M21513-05-16/M 21513-05-16-4500	Lift cylinder hose assembly	1	
5	1SN12-M21513-08-22/M 21593-08-22-380	Manifold to filter hose assembly	1	
6	1SN12-M21513-08-22/M 21543-08-22-380	Tank return hose assembly	1	
7	2SN12-M21513-08-22/M 21543-08-22-530	Pressue hose assembly	1	
8	1SN12-M21513-08-22/M 21593-08-22-320	Draw hose assembly	1	
9	GE08LM14x1.5EDA3C	Straight fitting	4	
10	GE15LMEDA3C	Straight fitting	3	
11	GE10LM16x1.5EDA3C	Straight fitting	1	
12	EL10L	Tee fitting	1	
13	EW10L	Elbow	1	
14	GE10LM18x1.5EDA3C	Straight fitting	2	
15	GE15LR3/4EDA3C	Straight fitting	2	
16	EW15L	Elbow	4	
17	GE15L7/8UNFA3C	Straight fitting	2	
18	WSV15LA3C	Fitting M22x1.5	1	

Figure 4-7 Hydraulic Hoses and Fittings (JCPT1612HD)

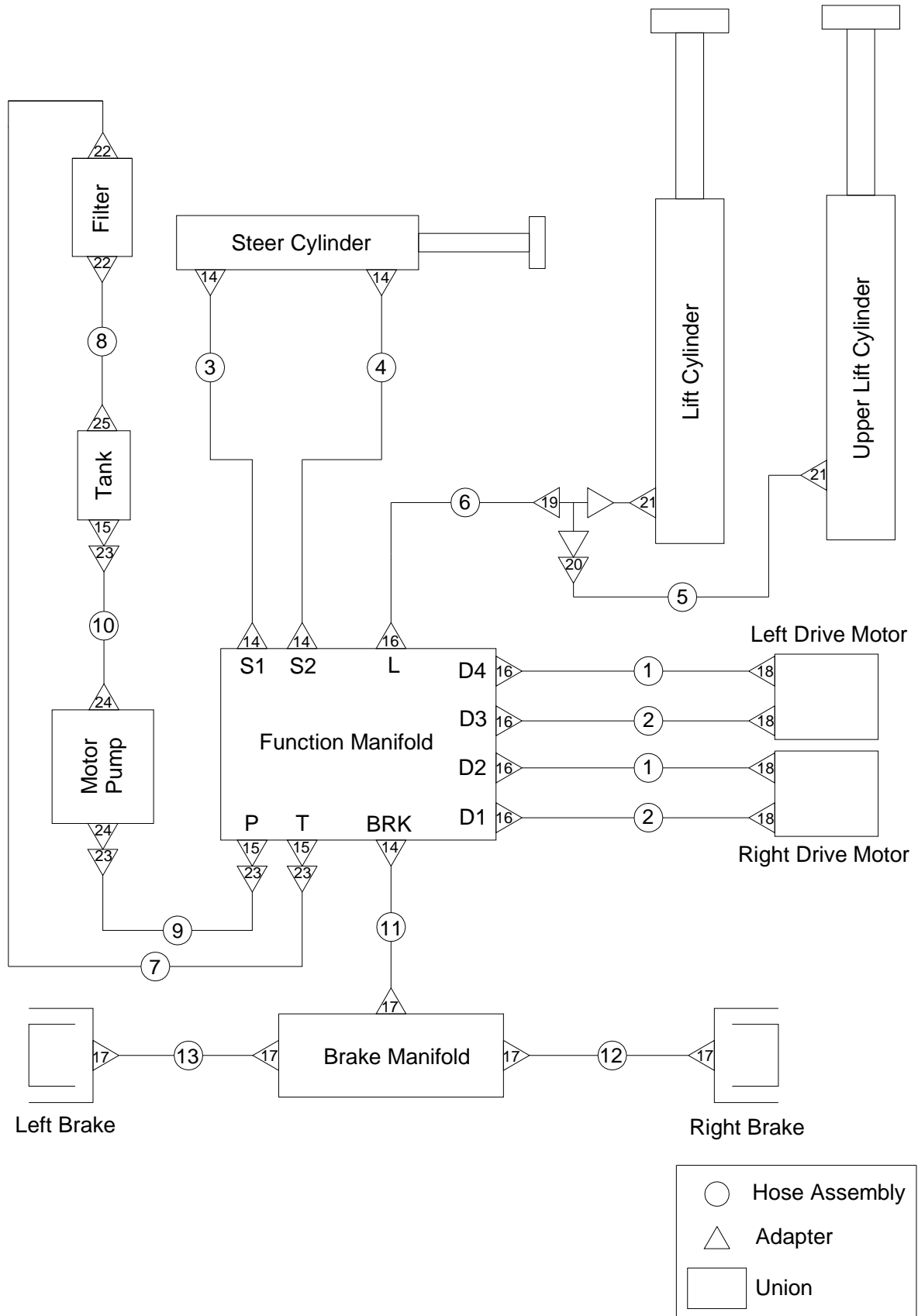


Figure 4-7 Hydraulic Hoses and Fittings (JCPT1612HD)

Item	Part Number	Description	Qty.	Remark
1	1SN08-M21513-05-16/M 21543-05-16-1700	Drive motors hose assembly	2	
2	1SN08-M21513-05-16/M 21543-05-16-1730	Drive motors hose assembly	2	
3	1SN06-M21513-04-14/M 21593-04-14-1390	Steer hose assembly	1	
4	1SN06-M21513-04-14/M 21593-04-14-1400	Steer hose assembly	1	
5	2SN08-M21513-05-16/M 21513-05-16-10600	Upper lift cylinder hose assembly	1	
6	2SN08-M21513-05-16/M 21513-05-16-5500	Lift cylinder hose assembly	1	
7	1SN12-M21513-08-22/M 21543-08-22-380	Manifold to filter hose assembly	1	
8	1SN12-M21513-08-22/M 21543-08-22-340	Tank return hose assembly	1	
9	2SN12-M21513-08-22/M 21543-08-22-530	Pressue hose assembly	1	
10	1SN12-M21513-08-22/M 21593-08-22-320	Draw hose assembly	1	
11	1SN06-M21513-04-14/M 21593-04-14-2700	Brake hose assembly	1	
12	1SN06-M21513-04-14/M 21593-04-14-540	Brake manifold hose assembly	1	
13	1SN06-M21513-04-14/M 21593-04-14-700	Brake manifold hose assembly	1	
14	GE08LM14x1.5EDA3C	Straight fitting	5	
15	GE15LMEDA3C	Straight fitting	3	
16	GE10LM16x1.5EDA3C	Straight fitting	5	
17	GE08L7/16UNFA3C	Straight fitting	5	
18	GE10L9/16UNFA3C	Straight fitting	4	
19	EL10L	Tee fitting	1	
20	EW10L	Elbow	1	
21	GE10LM18x1.5EDA3C	Straight fitting	2	
22	GE15LR3/4EDA3C	Straight fitting	2	
23	EW15L	Elbow	4	

Figure 4-7 Hydraulic Hoses and Fittings (JCPT1612HD)

Item	Part Number	Description	Qty.	Remark
24	GE15L7/8UNFA3C	Straight fitting	2	
25	WSV15LA3C	Fitting M22x1.5	1	

Figure 4-8 Hydraulic Hoses and Fittings (JCPT1612DC)

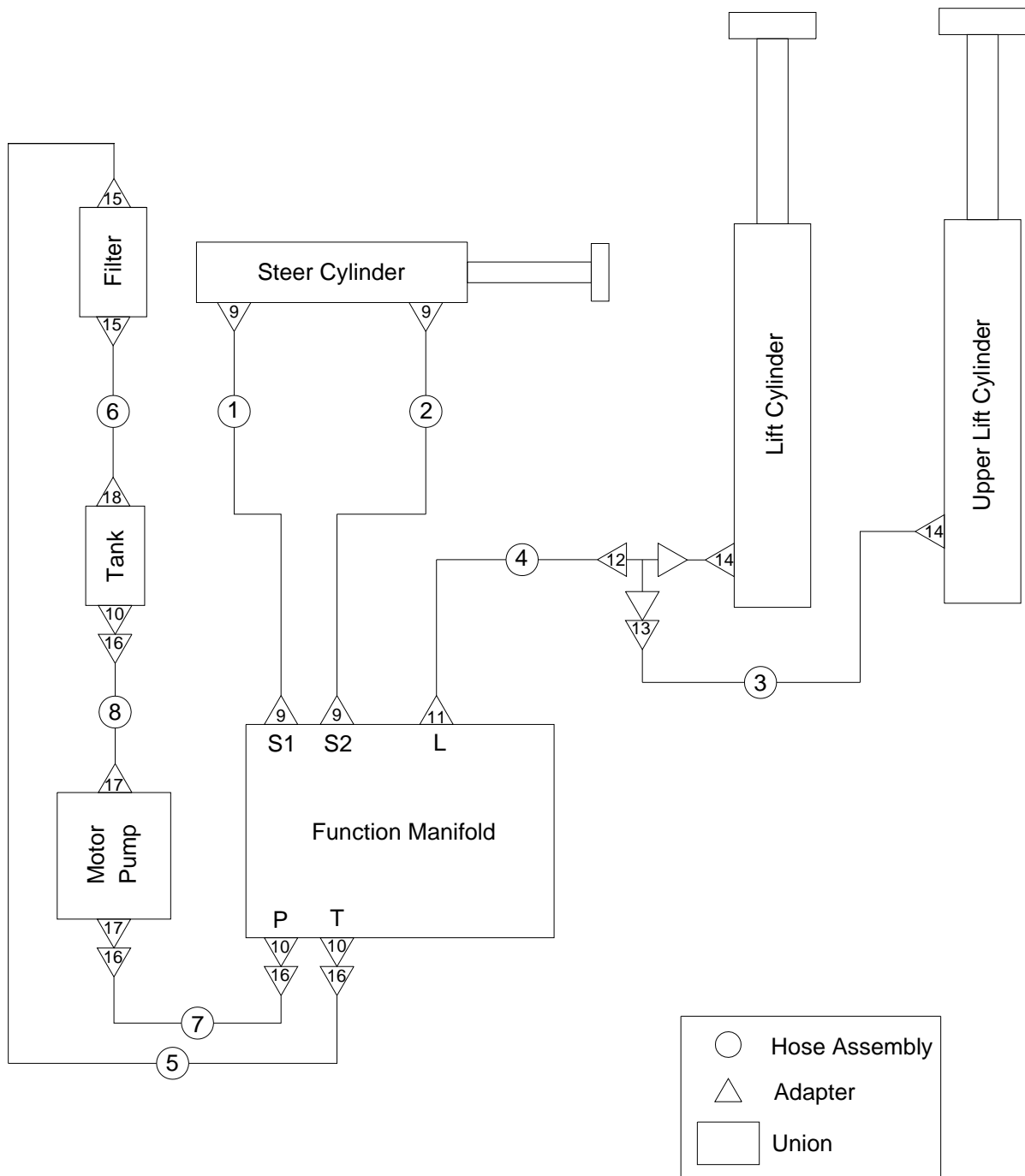


Figure 4-8 Hydraulic Hoses and Fittings (JCPT1612DC)

Item	Part Number	Description	Qty.	Remark
1	1SN06-M21513-04-14/M 21593-04-14-1390	Steer hose assembly	1	
2	1SN06-M21513-04-14/M 21593-04-14-1400	Steer hose assembly	1	
3	2SN08-M21513-05-16/M 21513-05-16-10600	Upper lift cylinder hose assembly	1	
4	2SN08-M21513-05-16/M 21513-05-16-5500	Lift cylinder hose assembly	1	
5	1SN12-M21513-08-22/M 21593-08-22-380	Manifold to filter hose assembly	1	
6	1SN12-M21513-08-22/M 21543-08-22-380	Tank return hose assembly	1	
7	2SN12-M21513-08-22/M 21543-08-22-530	Pressue hose assembly	1	
8	1SN12-M21513-08-22/M 21593-08-22-320	Draw hose assembly	1	
9	GE08LM14x1.5EDA3C	Straight fitting	4	
10	GE15LMEDA3C	Straight fitting	3	
11	GE10LM16x1.5EDA3C	Straight fitting	1	
12	EL10L	Tee fitting	1	
13	EW10L	Elbow	1	
14	GE10LM18x1.5EDA3C	Straight fitting	2	
15	GE15LR3/4EDA3C	Straight fitting	2	
16	EW15L	Elbow	4	
17	GE15L7/8UNFA3C	Straight fitting	2	
18	WSV15LA3C	Fitting M22x1.5	1	

Figure 4-9 Function Manifold (HD Motor Drive)

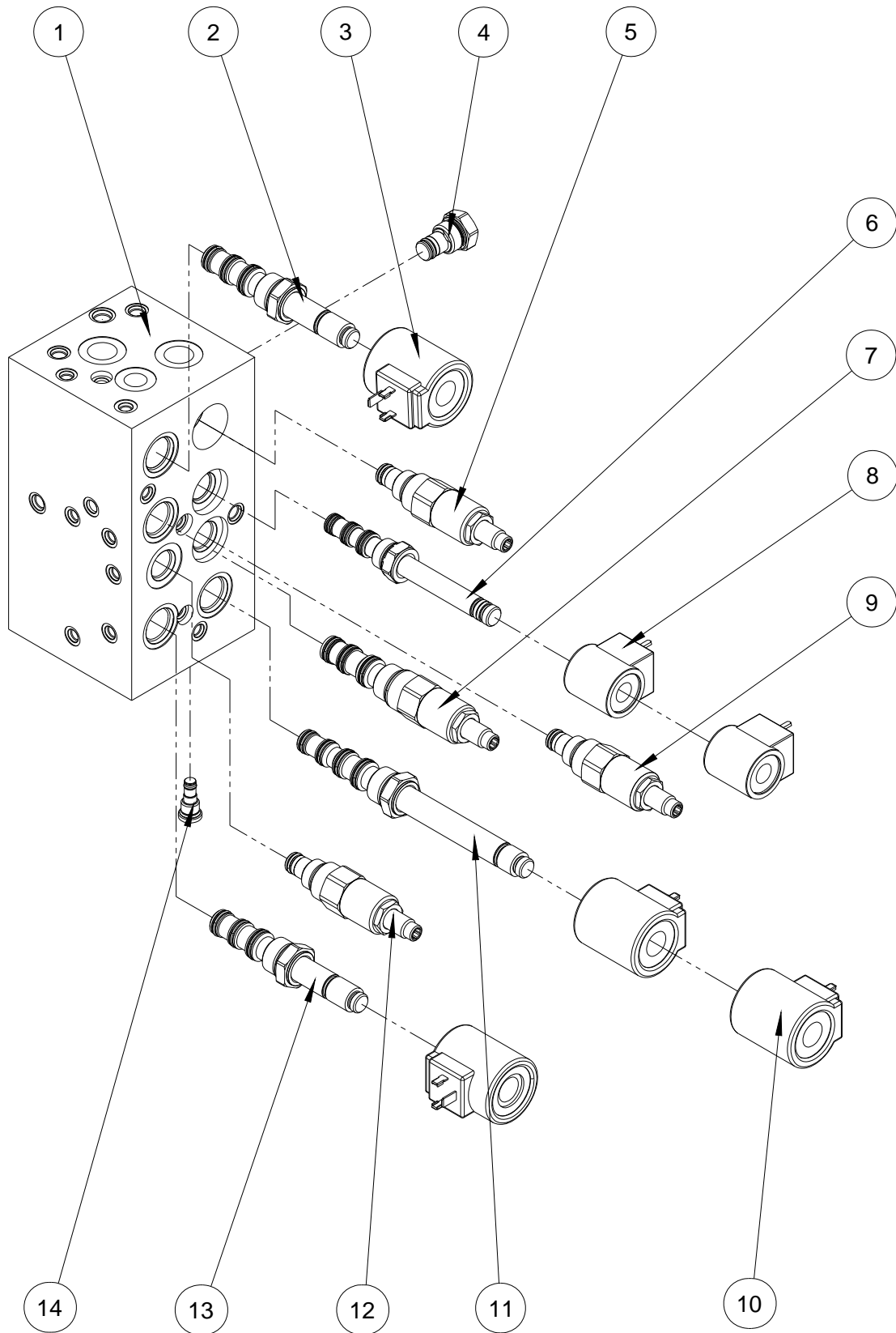


Figure 4-9 Function Manifold (HD Motor Drive)

Item	Part Number	Description	Qty.	Remark
1	DPH-0712A-09B	Valve body	1	
2	SV10-40-O-N-20DS	Lift valve solenoid	1	
3	63510201213	Coil	3	
4	CV08-20-O-N-4	Check valve	1	
5	RV08-22A-O-N-35/M235	Main overflow valve	1	
6	SV08-47A-O-N-20DS	Steer valve solenoid	1	
7	FRRV10-41FA-O-N-M2.8 /M150	Steer pressure-gradient control valve	1	
8	63010201413	Coil	2	
9	RV08-22A-O-N-4/M3.45	Brake overflow valve	1	
10	63510201613	Coil	1	
11	RV08-22A-O-N-35/M190	Lift overflow valve	1	
12	SV10-5914-O-N-20DS	Drive solenoid	1	
13	SV10-44-O-N-20DS	Drive speed solenoid	1	
14	CV04-20-O-N-5	Check valve	1	

Figure 4-10 Function Manifold (DC Motor Drive)

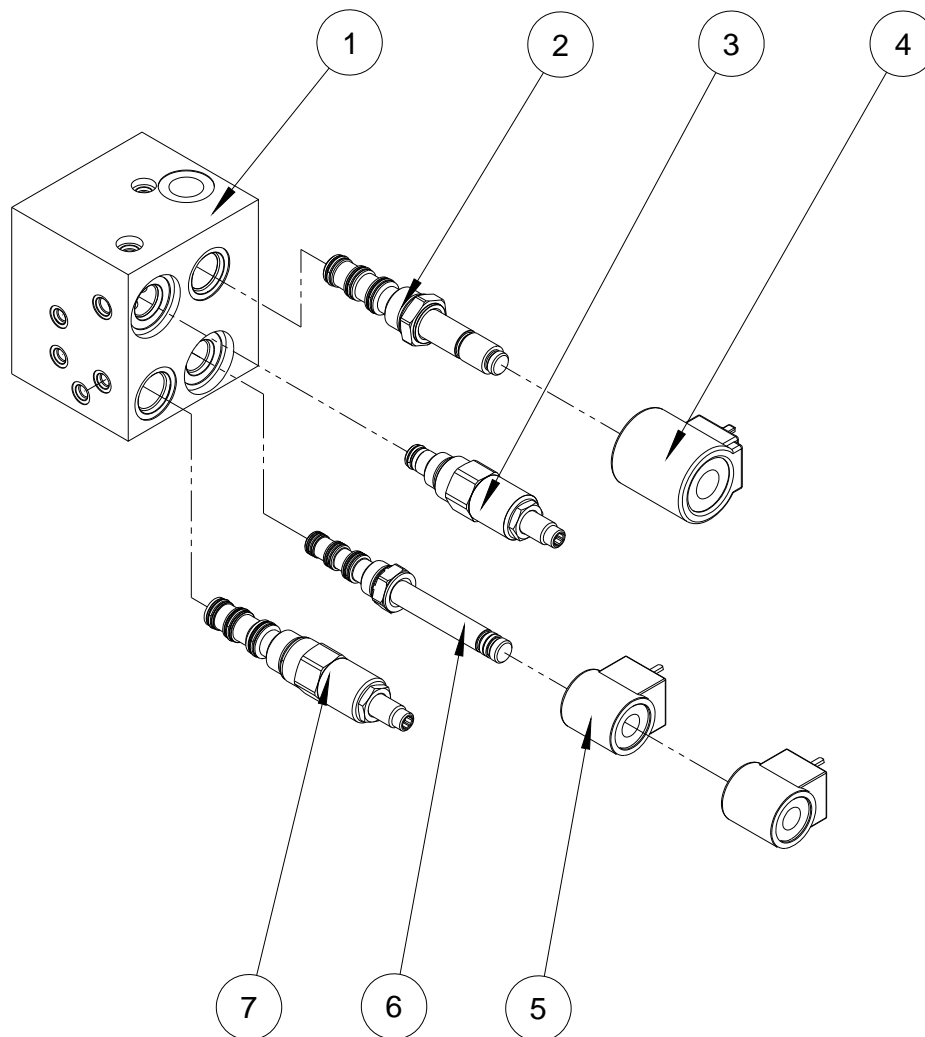


Figure 4-10 Function Manifold (DC Motor Drive)

Item	Part Number	Description	Qty.	Remark
1	DPH-0918-10B	Valve body	1	
2	SV10-40-O-N-20DS	Lift valve solenoid	1	
3	RV08-22A-O-N-35/M180	Lift overflow valve	1	
4	63510202814	Coil	1	
5	63010202814	Coil	2	
6	SV08-47A-O-N-20DS	Steer valve solenoid	1	
7	FRRV10-41FA-O-N-M2.8 /M100	Steer pressure-gradient control valve	1	